



Product Categories

- [Goniophotometer >](#)
- [Spectroradiometer >](#)
- [Integrating Sphere >](#)
- [LED Test Instruments >](#)
- [CFL Testing Instruments >](#)
- [Photometer and Colorimeter >](#)
- [EMI and EMC Test Systems >](#)
- [Electronic Ballast Tester >](#)
- [Electrical Safety Tester >](#)
- [Environmental Test Chamber >](#)
- [Plug and Switch Testing >](#)
- [AC and DC Power Supply >](#)
- [Object Color and Glossiness Test >](#)
- [Mask Produce and Test Machine >](#)
- [Electronic Components Test >](#)



EMI Test System | EMI Test Equipment

Product No: EMI-9KA

Get a Quote

Your email address will not be published. Required fields are marked *

Name*

Company*

Email*

Cell/WhatsApp

Message*

Verify Code



Send

Description

Video

Download

Related Applications

[LEDs and Luminaire Test Solutions](#)



IEC International Electrotechnical Commission

Related Technical Articles

[EMI conducted interference test difference between LISN and three loop antenna](#)

[LED lighting and household appliance EMI test introduce and relevant standards](#)

[How to solve radiation problem](#)

[LISUN EMI Receiver EMI-9KB or EMI-9KA – After Sales Questions and Answers](#)

[EMI receiver system for solving conducted emissions problem](#)

[The Main Differences Between Lighting test Standard CISPR 15: 2018 and 2013 Versions](#)

[Contents and Meanings of EMC Test According to International Standards](#)

[LISUN held a lighting Technology Salon in Egypt](#)

[LISUN held a lighting technology salon in Iran](#)

[LISUN held a lighting technology salon in Saudi Arabia](#)

Specification:

- Detection frequency range: 9kHz~30MHz (EMI-9KA) or 9kHz~300MHz (EMI-9KB)
- Frequency stability: 1×10^{-6}
- Frequency resolution: (9kHz~150kHz) 30Hz; (150kHz~30MHz) 1kHz
- Test Tolerance: ± 2 dB
- Measure and Detection method: PK, QP and AV range from 20dB μ V to 140dB μ V
- Test time: setting by customers
- Frequency scanning step length: 20Hz~2MHz
- Sweep bandwidth: 200Hz; 9kHz; 120kHz



Jay Lee

2019-11-09

Free install and training service. High quality products, our boss was satisfied very much!



Tags : [EMI Test System](#) , [EMI-9KA](#)

Related Products

Related Successful Case





- [Home](#)
- [About Us](#)
- [Products ▾](#)
- [Applications ▾](#)
- [Standards ▾](#)
- [Successful Cases](#)
- [News ▾](#)
- [E-Catalog](#)
- [Contact Us](#)

Turkey – We finished another customer’s installation and training for LSG-1800BCCD goniospectroradiometer and EMI receiver systems

India- Free Maintenance for EMI Receiver System

Korea – LISUN engineer did installation and training in Korea for our client about goniophotometer, EMI receiver and surge generator



SDR-2000B Magnetic Shielding Cabinet for EMI Testing



LISN-B Artificial Network | Line Impedance Stabilization Network



VVLA-30M Three Loop Antenna



ITEU-SP4K Isolation Transformer

[Goniophotometer](#) | [Integrating Sphere](#) | [Surge Generator](#)



© Copyright 2003 | [Blog](#) | [Privacy](#)

[Surge Generator](#) | [Emc Test System](#) | [Emi Receiver](#) | [Electrical Safety Tester](#) | [Temperature Chamber](#) | [Salt Spray Test](#) | [Environmental Chamber](#) | [Sitemap](#)

COMMISSION
ÉLECTROTECHNIQUE
INTERNATIONALE

CISPR
15

INTERNATIONAL
ELECTROTECHNICAL
COMMISSION

Edition 5.2
1999-04

COMITÉ INTERNATIONAL SPÉCIAL DES PERTURBATIONS RADIOÉLECTRIQUES
INTERNATIONAL SPECIAL COMMITTEE ON RADIO INTERFERENCE

Edition 5:1996 consolidée par les amendements 1:1997 et 2:1998
Edition 5:1996 consolidated with amendments 1:1997 and 2:1998

**Limites et méthodes de mesure
des perturbations radioélectriques
produites par les appareils électriques
d'éclairage et les appareils analogues**

**Limits and methods of measurement
of radio disturbance characteristics of
electrical lighting and similar equipment**



Numéro de référence
Reference number
CISPR 15:1996+A.1:1997+A.2:1998

Révision de la présente publication

Le contenu technique des publications de la CEI et du CISPR est constamment revu par la Commission et par le CISPR afin qu'il reflète bien l'état actuel de la technique.

Les renseignements relatifs à des questions à l'étude et des travaux en cours entrepris par le comité technique qui a établi cette publication, ainsi que la liste des publications établies, se trouvent dans les documents ci-dessous:

- «Site web» de la CEI*
- **Catalogue des publications de la CEI**
Publié annuellement et mis à jour régulièrement
(Catalogue en ligne)*
- **Bulletin de la CEI**
Disponible à la fois au «site web» de la CEI* et comme périodique imprimé

Terminologie utilisée dans la présente publication

Seuls sont définis ici les termes spéciaux se rapportant à la présente publication.

En ce qui concerne la terminologie générale, le lecteur se reportera à la CEI 60050: *Vocabulaire Electrotechnique International* (VEI), qui est établie sous forme de chapitres séparés traitant chacun d'un sujet défini, l'Index général étant publié séparément. Des détails complets sur le VEI peuvent être obtenus sur demande.

Pour les termes concernant les perturbations radio-électriques, voir le chapitre 902.

Symboles graphiques et littéraux

Pour les symboles graphiques, les symboles littéraux et les signes d'usage général approuvés par la CEI, le lecteur consultera:

- la CEI 60027: *Symboles littéraux à utiliser en électrotechnique*;
- la CEI 60617: *Symboles graphiques pour schémas*;

Les symboles et signes contenus dans la présente publication ont été soit tirés de la CEI 60027 ou CEI 60617, soit spécifiquement approuvés aux fins de cette publication.

* «Site web» de la CEI <http://www.iec.ch>

Revision of this publication

The technical content of IEC and CISPR publications is kept under constant review by the IEC and CISPR, thus ensuring that the content reflects current technology.

Information on the subjects under consideration and work in progress undertaken by the technical committee which has prepared this publication, as well as the list of publications issued, is to be found at the following IEC sources:

- **IEC web site***
- **Catalogue of IEC publications**
Published yearly with regular updates
(On-line catalogue)*
- **IEC Bulletin**
Available both at the IEC web site* and as a printed periodical

Terminology used in this publication

Only special terms required for the purpose of this publication are defined herein.

For general terminology, readers are referred to IEC 60050: *International Electrotechnical Vocabulary* (IEV), which is issued in the form of separate chapters each dealing with a specific field, the General Index being published as a separate booklet. Full details of the IEV will be supplied on request.

For terms on radio interference, see Chapter 902.

Graphical and letter symbols

For graphical symbols, and letter symbols and signs approved by the IEC for general use, readers are referred to:

- IEC 60027: *Letter symbols to be used in electrical technology*;
- IEC 60617: *Graphical symbols for diagrams*;

The symbols and signs contained in the present publication have either been taken from IEC 60027 or IEC 60617, or have been specifically approved for the purpose of this publication.

* IEC web site <http://www.iec.ch>

COMMISSION
ÉLECTROTECHNIQUE
INTERNATIONALE

CISPR
15

INTERNATIONAL
ELECTROTECHNICAL
COMMISSION

Edition 5.2
1999-04

COMITÉ INTERNATIONAL SPÉCIAL DES PERTURBATIONS RADIOÉLECTRIQUES
INTERNATIONAL SPECIAL COMMITTEE ON RADIO INTERFERENCE

Edition 5:1996 consolidée par les amendements 1:1997 et 2:1998
Edition 5:1996 consolidated with amendments 1:1997 and 2:1998

**Limites et méthodes de mesure
des perturbations radioélectriques
produites par les appareils électriques
d'éclairage et les appareils analogues**

**Limits and methods of measurement
of radio disturbance characteristics of
electrical lighting and similar equipment**

© IEC 1999 Droits de reproduction réservés — Copyright - all rights reserved

Aucune partie de cette publication ne peut être reproduite ni
utilisée sous quelque forme que ce soit et par aucun procédé,
électronique ou mécanique, y compris la photocopie et les
microfilms, sans l'accord écrit de l'éditeur.

No part of this publication may be reproduced or utilized in any
form or by any means, electronic or mechanical, including
photocopying and microfilm, without permission in writing from the
publisher.

International Electrotechnical Commission
Telefax: +41 22 919 0300

e-mail: inmail@iec.ch

3, rue de Varembe Geneva, Switzerland
IEC web site <http://www.iec.ch>



Commission Electrotechnique Internationale
International Electrotechnical Commission
Международная Электротехническая Комиссия

CODE PRIX
PRICE CODE

X

For price, voir catalogue en vigueur
For price, see current catalogue

CONTENTS

	Page
FOREWORD	7
Clause	
1 Scope	9
2 Normative references	11
3 Definitions	11
4 Limits	11
4.1 Frequency ranges	11
4.2 Insertion loss	13
4.3 Disturbance voltages	13
4.4 Radiated electromagnetic disturbances	15
4.5 Limits at designated frequencies	15
5 Application of the limits	17
5.1 General	17
5.2 Designated frequencies	17
5.3 Indoor luminaires	17
5.4 Independent auxiliaries exclusively for use with lighting equipment	19
5.5 Self-ballasted lamps	23
5.6 Outdoor lighting appliances	23
5.7 UV and IR radiation appliances	25
5.8 Transport lighting	27
5.9 Neon and other advertising signs	29
5.10 Self-contained emergency lighting luminaires	29
6 Operating conditions for lighting equipment	29
6.1 General	29
6.2 Lighting equipment	31
6.3 Supply voltage and frequency	31
6.4 Ambient conditions	31
6.5 Lamps	31
6.6 Replaceable starters	31
7 Method of insertion loss measurement	33
7.1 Circuits for the measurement of insertion loss	33
7.2 Measuring arrangement and procedure	33
7.3 Luminaire	35
7.4 Measurement procedure	35
8 Method of measurement of disturbance voltages	37
8.1 Measuring arrangement and procedure	37
8.2 Indoor and outdoor luminaires	39
8.3 Independent light regulating devices	41
8.4 Independent transformers and convertors for incandescent lamps	41
8.5 Independent ballasts for fluorescent and other discharge lamps	41
8.6 Self-ballasted lamps and semi-luminaires	43
8.7 UV and IR radiation appliances	43
8.8 Self-contained emergency lighting luminaires	43

Clause	Page
9 Method of measurement of radiated electromagnetic disturbances.....	45
9.1 Measuring arrangement and procedure	45
9.2 Indoor and outdoor luminaires	45
9.3 Independent convertors for incandescent lamps	45
9.4 Independent ballasts for fluorescent and other discharge lamps.....	45
9.5 Self-ballasted lamps and semi-luminaires	45
9.6 UV and IR radiation appliances	45
9.7 Self-contained emergency lighting luminaires	47
9.8 Application of CISPR 16-1	47
10 Interpretation of CISPR radio disturbance limits.....	47
10.1 Significance of a CISPR limit.....	47
10.2 Tests	47
10.3 Statistical method of evaluation	47
10.4 The banning of sales.....	49
 Figures.....	 51
 Annexes	
A Electrical and constructional requirements for the low-capacitance balance-to-unbalance transformer	75
B Magnetic field induced current method.....	85
C Relative sensitivities and conversion factors for large-loop antennas (LLAs)	95

www.LisunGroup.com

INTERNATIONAL ELECTROTECHNICAL COMMISSION
INTERNATIONAL SPECIAL COMMITTEE ON RADIO INTERFERENCE

**LIMITS AND METHODS OF MEASUREMENT OF
RADIO DISTURBANCE CHARACTERISTICS OF ELECTRICAL LIGHTING
AND SIMILAR EQUIPMENT**

FOREWORD

- 1) The IEC (International Electrotechnical Commission) is a worldwide organization for standardization comprising all national electrotechnical committees (IEC National Committees). The object of the IEC is to promote international co-operation on all questions concerning standardization in the electrical and electronic fields. To this end and in addition to other activities, the IEC publishes International Standards. Their preparation is entrusted to technical committees; any IEC National Committee interested in the subject dealt with may participate in this preparatory work. International, governmental and non-governmental organizations liaising with the IEC also participate in this preparation. The IEC collaborates closely with the International Organization for Standardization (ISO) in accordance with conditions determined by agreement between the two organizations.
- 2) The formal decisions or agreements of the IEC on technical matters express, as nearly as possible, an international consensus of opinion on the relevant subjects since each technical committee has representation from all interested National Committees.
- 3) The documents produced have the form of recommendations for international use and are published in the form of standards, technical reports or guides and they are accepted by the National Committees in that sense.
- 4) In order to promote international unification, IEC National Committees undertake to apply IEC International Standards transparently to the maximum extent possible in their national and regional standards. Any divergence between the IEC Standard and the corresponding national or regional standard shall be clearly indicated in the latter.
- 5) The IEC provides no marking procedure to indicate its approval and cannot be rendered responsible for any equipment declared to be in conformity with one of its standards.
- 6) Attention is drawn to the possibility that some of the elements of this International Standard may be the subject of patent rights. The IEC shall not be held responsible for identifying any or all such patent rights.

This standard was prepared by CISPR, subcommittee F: Interference relating to household appliances, tools, lighting equipment and similar apparatus.

This consolidated version of CISPR 15 is based on the fifth edition (1996) [documents CISPR/F/186/DIS and CISPR/F/195/RVD], its amendment 1 (1997) [documents CISPR/F/211/FDIS and CISPR/F/222/RVD] and amendment 2 (1998) [documents CISPR/F/254/FDIS and CISPR/F/273/RVD].

It bears the edition number 5.2.

A vertical line in the margin shows where the base publication has been modified by amendments 1 and 2.

The main technical changes are:

- limitation of the scope to electromagnetic disturbances only. A standard for immunity requirements for lighting equipment is prepared by IEC technical committee 34;
- full application of the limits to all kinds of lighting equipment; lamps, luminaires and auxiliaries;
- introduction of operation conditions for lighting equipment;
- change of the method of measurement of insertion loss.

Annexes A and B form an integral part of this standard.

Annex C is for information only.

LIMITS AND METHODS OF MEASUREMENT OF RADIO DISTURBANCE CHARACTERISTICS OF ELECTRICAL LIGHTING AND SIMILAR EQUIPMENT

1 Scope

This standard applies to the emission (radiated and conducted) of radiofrequency disturbances from:

- all lighting equipment with a primary function of generating and/or distributing light intended for illumination purposes, and intended either for connection to the low voltage electricity supply or for battery operation;
- the lighting part of multi-function equipment where one of the primary functions of this is illumination;
- independent auxiliaries exclusively for use with lighting equipment;
- UV and IR radiation equipment;
- neon advertising signs;
- street/flood lighting intended for outdoor use;
- transport lighting (installed in buses and trains).

Excluded from the scope of this standard are:

- lighting equipment for aircraft and airports;
- apparatus for which the electromagnetic compatibility requirements in the radio-frequency range are explicitly formulated in other IEC or CISPR standards.

NOTE – Examples are:

- built-in lighting devices in other equipment, for example scale illumination or neon devices;
- photocopiers;
- slide projectors;
- lighting equipment for road vehicles.

The frequency range covered is 9 kHz to 400 GHz.

Multi-function equipment which is subjected simultaneously to different clauses of this standard and/or other standards shall meet the provisions of each clause/standard with the relevant functions in operation.

The limits in this standard have been determined on a probabilistic basis to keep the suppression of disturbances within economically reasonable limits while still achieving an adequate level of radio protection and electromagnetic compatibility. In exceptional cases additional provisions may be required.

2 Normative references

The following normative documents contain provisions which, through reference in this text, constitute provisions of this International Standard. At the time of publication, the editions indicated were valid. All normative documents are subject to revision, and parties to agreements based on this International Standard are encouraged to investigate the possibility of applying the most recent editions to the normative documents indicated below. Members of IEC and ISO maintain registers of currently valid International Standards.

IEC 60050(161):1990, *International Electrotechnical Vocabulary (IEV) – Chapter 161: Electromagnetic compatibility*

IEC 60050(845):1987, *International Electrotechnical Vocabulary (IEV) – Chapter 845: Lighting*

IEC 60155:1993, *Glow-starters for fluorescent lamps*

IEC 60598: *Luminaires*

CISPR 11:1990, *Limits and methods of measurement of electromagnetic disturbance characteristics of industrial, scientific and medical (ISM) radio-frequency equipment*

CISPR 16-1:1993, *Specification for radio disturbance and immunity measuring apparatus and methods – Part 1: Radio disturbance and immunity measuring apparatus*

3 Definitions

For the purpose of this International Standard, the definitions contained in IEC 60050(161) apply.

Continuous disturbance may be either broadband, for instance caused by the switching operations or by unstable gas-discharges in the lamp electrode region, or may be narrowband, for instance caused by electronic control devices operating at dedicated frequencies.

NOTE – Instead of the concept of "broadband" and "narrowband", a distinction is made in this standard between two related kinds of disturbance, defined by the type of the applied detector. For this purpose, limits have been defined with respect to the measurement with the quasi-peak detector and with the average detector. By using this approach a combination of broadband and narrowband disturbances also can be assessed.

4 Limits

4.1 Frequency ranges

In 4.2, 4.3 and 4.4 limits are given as a function of frequency range. No measurements need to be performed at frequencies where no limits are specified.

NOTE – The World Administrative Radiocommunications Conference (WARC) has in 1979 reduced the lower frequency limit in Region I to 148,5 kHz; for applications falling within the scope of this standard, tests at 150 kHz are considered adequate, since 148,5 kHz falls within the receiver bandwidth.

4.2 Insertion loss

The minimum values of the insertion loss for the frequency range 150 kHz to 1 605 kHz are given in table 1.

Table 1 – Minimum values of insertion loss

Frequency range kHz	Minimum values dB
150 to 160	28
160 to 1 400	28 to 20*
1 400 to 1 605	20
* Decreasing linearly with the logarithm of frequency.	

4.3 Disturbance voltages

4.3.1 Mains terminals

The limits of the mains terminal disturbance voltages for the frequency range 9 kHz to 30 MHz are given in table 2a.

Table 2a – Disturbance voltage limits at mains terminals

Frequency range	Limits dB(μV)*	
	Quasi-peak	Average
9 kHz to 50 kHz**	110	–
50 kHz to 150 kHz**	90 to 80***	–
150 kHz to 0,5 MHz	66 to 56***	56 to 46***
0,5 MHz to 2,51 MHz	56	46
2,51 MHz to 3,0 MHz	73	63
3,0 MHz to 5,0 MHz	56	46
5 MHz to 30 MHz	60	50
* At the transition frequency, the lower limit applies.		
** The limit values in the frequency range 9 kHz to 150 kHz are considered to be "provisional limits" which may be modified after some years of experience.		
*** The limit decreases linearly with the logarithm of the frequency in the ranges 50 kHz to 150 kHz and 150 kHz to 0,5 MHz.		
NOTE – In Japan, the limits in the frequency range 9 kHz to 150 kHz are not applicable. Moreover, the limits 56 dB(μV) quasi-peak and 46 dB(μV) average apply in between 2,51 MHz and 3 MHz.		

4.3.2 Load and control terminals

The limits of the load and control terminal disturbance voltages for the frequency range 150 kHz to 30 MHz are given in table 2b.

Table 2b – Disturbance voltage limits at load and control terminals

Frequency range MHz	Limits dB(μV)*	
	Quasi-peak	Average
0,15 to 0,50	80	70
0,50 to 30	74	64

* At the transition frequency the lower limit applies.

4.4 Radiated electromagnetic disturbances

The quasi-peak limits of the magnetic component of the radiated disturbance field strength in the frequency range 9 kHz to 30 MHz measured as a current in 2 m, 3 m or 4 m loop antennas around the lighting equipment, are given in table 3.

The limits for the 2 m loop diameter apply to equipment not exceeding a length of 1,6 m, those for the 3 m loop diameter for equipment having a length in between 1,6 m and 2,6 m and those for the 4 m loop diameter for equipment having a length in between 2,6 m and 3,6 m.

Table 3 – Radiated electromagnetic disturbance limits

Frequency range MHz	Limits for loop diameter dB(μA)*		
	2 m	3 m	4 m
9 kHz to 70 kHz	88	81	75
70 kHz to 150 kHz	88 to 58**	81 to 51**	75 to 45**
150 kHz to 2,2 MHz	58 to 26**	51 to 22**	45 to 16**
2,2 MHz to 3,0 MHz	58	51	45
3,0 MHz to 30 MHz	22	15 to 16***	9 to 12***

* At the transition frequency, the lower limit applies.
 ** Decreasing linearly with the logarithm of the frequency.
 *** Increasing linearly with the logarithm of the frequency.
 NOTE – In Japan, the limits for frequencies 9 kHz to 150 kHz do not apply.

4.5 Limits at designated frequencies

Certain frequencies are designated by the International Telecommunication Union (ITU) for use as fundamental frequencies for ISM equipment (Resolution No. 63 (1979) of the ITU regulations). These frequencies and related field strength limits are listed in table 4.

Limits of the terminal disturbance voltages within the frequency bands 6,765 to 6,795, 13,553 to 13,567 and 26,957 to 27,283 MHz are under consideration.

NOTE – In individual countries, different or additional frequencies may be designated for use by ISM equipment.

Table 4 – Limits of disturbance field strengths at frequencies designated for use by ISM equipment

Central frequency MHz	Frequency band MHz	Limit of disturbance field strength dB ($\mu\text{V}/\text{m}$) measured at 10 m distance	No. of appropriate footnote to the table of frequency allocation of the ITU radio regulations
6,780	6,765 to 6,765	100 (magnetic component)	524*
13,560	13,553 to 13,567	100 (magnetic component)	534
27,120	26,957 to 27,283	100 (magnetic component)	546
40,680	40,660 to 40,700	100 (electric component)	548
433,922	433,050 to 434,790	100 (electric component)	661*, 662 (region 1 only)
915	902 to 928	100 (electric component)	707 (region 2 only)
2 450	2 400 to 2 500	100 (electric component)	752
5 800	5 725 to 5 875	100 (electric component)	806
24 125	24 000 to 24 250	100 (electric component)	881
61 250	61 000 to 61 500	100 (electric component)	911*
122 500	122 000 to 123 000	100 (electric component)	916*
245 000	244 000 to 246 000	100 (electric component)	922*

* Use of these frequency bands shall be subjected to special authorization by administrations concerned in agreement with other administrations whose radio communication services might be affected.

5 Application of the limits

5.1 General

Application of the limits for the various kinds of lighting equipment as mentioned in the scope of this standard are given in 5.3 to 5.9.

No emission requirements apply to lamps other than self-ballasted lamps nor to auxiliaries incorporated in luminaires, in self-ballasted lamps or in semi-luminaires. (See, however, note 2 of 5.4.1 in this respect.)

The disturbance caused by manual or automatic operation of a switch (external or included in equipment) to connect or disconnect the mains shall be disregarded. This includes manual on/off switches or, for example, switches activated by sensors or ripple control receivers. However, switches which will be repeatedly operated (e.g. such as those of advertising signs) are not included in this exception.

5.2 Designated frequencies

Any kind of lighting equipment may operate at the designated frequencies as described in 4.5. Such equipment shall comply with:

- the field strength limits as given in table 4;
- the disturbance voltage limits as given in 4.3, except for the designated frequency bands listed in table 4, where the limits are under consideration;
- the radiated disturbance limits outside the frequency bands as given in table 3.

5.3 Indoor luminaires

5.3.1 General

The following conditions apply to all kinds of indoor luminaires irrespective of the environment in which they are used.

5.3.2 Incandescent lamp luminaires

Incandescent lamp luminaires, where the lamps are a.c. mains or d.c. operated or which do not incorporate a light regulating device or electronic switch, are not expected to produce electromagnetic disturbance. Therefore they are deemed to fulfil all relevant requirements of this standard without further testing.

NOTE – Where in this standard the term "incandescent lamp" is used, all types of incandescent lamps including halogen lamps are meant.

5.3.3 Fluorescent lamp luminaires

The minimum values of insertion loss of table 1 shall apply where a fluorescent lamp luminaire is a starter switch operated type and designed for one of the following lamp types:

- linear fluorescent lamps with a nominal diameter of 15 mm, 25 mm or 38 mm;
- circular fluorescent lamps with a nominal diameter of 28 mm or 32 mm;
- U-type fluorescent lamps with a nominal diameter of 15 mm, 25 mm or 38 mm;
- single-capped fluorescent lamps, without integrated starter and with a nominal diameter of 15 mm;
- single-capped fluorescent lamps, linear shaped, twin and quad tube, with integrated starter and having a nominal tube diameter of 12 mm.

5.3.4 Other luminaires

Indoor luminaires other than described in 5.3.2 or 5.3.3 shall comply with the mains terminal voltage limits given in table 2a.

Where the luminaire supplies the lamp(s) with a current having an operation frequency in excess of 100 Hz, it shall comply with the field strength limits given in table 3.

Where the light output of the luminaire is regulated by an external device, the disturbance voltage at the control terminals shall not exceed the limits given in table 2b.

5.4 Independent auxiliaries exclusively for use with lighting equipment

5.4.1 General

Independent auxiliaries are electric or electronic devices designed to be applied external to a luminaire and to be used to control the current or voltage of a discharge or incandescent lamp. Examples are dimmers, transformers and convertors for lamps, ballasts for discharge lamps (including fluorescent lamps) and semi-luminaires for compact fluorescent lamps and for incandescent lamps.

NOTE 1 – The requirements described in this subclause (5.4) are for the sole purpose of checking the electromagnetic emission characteristics of the auxiliary itself. Due to the variety of wiring circuits, it is impossible to describe requirements for the installation. In this respect, it is recommended that the manufacturer give guidelines for the proper use of the auxiliary.

NOTE 2 – The requirements of this subclause (5.4) may be used for testing auxiliaries intended to be built in to a luminaire. However, there is no obligation for such testing. Moreover, even when the auxiliary complies with the requirements of this subclause, the luminaire shall always be tested.

5.4.2 Independent light regulating devices

5.4.2.1 Types of devices

There are two types of light regulating devices: those like dimmers which directly regulate the lamps, and those which have a remote control function to regulate the light output via a ballast or convertor.

5.4.2.2 Independent directly operating light regulating devices

Where such devices incorporate semiconductors, they shall comply with the terminal voltage limits given in tables 2a and 2b, otherwise no limits apply.

5.4.2.3 Independent remote control devices

Where such devices generate a d.c. or low-frequency (< 500 Hz) control signal, no limits apply. For radiofrequency or infrared operating devices, this standard does not apply. Other independent remote control devices shall comply with the terminal voltage limits given in tables 2a and 2b.

5.4.3 Independent transformers and convertors for incandescent lamps

5.4.3.1 General

Transformers for incandescent lamps change only the voltage and do not convert the mains frequency, whereas convertors also convert the frequency. Both kinds of device can incorporate means for regulating the light output of the lamps.

5.4.3.2 Independent transformers

For voltage transformers for incandescent lamps which do not regulate the voltage by means of active electronic components, the condition of 5.3.2 applies. Other independent transformers for incandescent lamps shall comply with the terminal voltage limits given in tables 2a and 2b.

5.4.3.3 Independent convertors

Independent electronic convertors for incandescent lamps shall either:

- a) comply with the terminal voltage limits given in tables 2a and 2b; or
- b) where the convertor has a non-detachable load supply cable, or where the manufacturer gives strict installation instructions which define the position, type and maximum length of cable(s) to be connected to the lamp(s), then the convertor shall comply with the terminal voltage limits given in table 2a and with the field strength limits given in table 3, under these conditions.

5.4.4 Independent ballasts for fluorescent and other discharge lamps

5.4.4.1 Independent ballasts designed for a type of fluorescent lamp as mentioned in 5.3.3 and operated with starter shall comply with the minimum values of insertion loss given in table 1.

5.4.4.2 Other independent ballasts shall comply with the mains terminal voltage limits given in table 2a.

Where the ballast supplies the lamp with a current having a frequency in excess of 100 Hz, it shall comply with the field strength limits given in table 3.

Where the light is regulated by an external device, the voltage limit at the control terminals of the ballast shall not exceed the limits given in table 2b.

5.4.5 Semi-luminaires

Semi-luminaires for compact fluorescent lamps and for incandescent lamps, sometimes called adaptors, are devices equipped on the one side with an Edison screw or bayonet cap to allow mounting in a standard incandescent lampholder and on the other side with a lampholder to allow the insertion of a replaceable light source.

Semi-luminaires shall comply with the terminal voltage limits given in table 2a.

Where the light source is operated at a frequency exceeding 100 Hz, the unit shall comply with the field strength limits given in table 3.

5.5 Self-ballasted lamps

For self-ballasted lamps, the ballasting and starting arrangements are encapsulated with the lamp into one single unit. These lamps are fitted with Edison screw or bayonet caps and can be inserted directly into an appropriate holder.

Self-ballasted lamps shall comply with the terminal voltage limits given in table 2a.

Where the light source is operated at a frequency exceeding 100 Hz, the unit shall comply with the field strength limits given in table 3.

5.6 Outdoor lighting appliances

5.6.1 General

For the purpose of this standard, the term "outdoor lighting" is used for the general lighting of public areas such as streets, walkways, cycle paths, motorways, tunnels, car parks, service stations and outdoor sports and recreational areas, for security and floodlighting of buildings and the like. Moreover, requirements described in this subclause (5.6) apply to the (outdoor) lighting appliances on private grounds, industrial estates and the like.

However, such lighting equipment may be subject to specific emission requirements which are not covered by this standard, for example airport lighting.

This subclause (5.6) does not apply to neon and other advertising signs.

5.6.2 Mounting system

Generally, an outdoor lighting appliance is built up of a support and one or more luminaires. The support could be:

- a pipe (bracket) or the like;
- a mast (column) arm;
- a post top;
- a span or suspension wires;
- a wall or ceiling.

Unless otherwise stated, the emission requirements described in this subclause (5.6) apply to the luminaire (including the lamp) and no requirements apply to the luminaire support.

5.6.3 Integrated switching devices

Disturbances caused by the operation of integrated switching devices such as ripple control receivers shall be disregarded.

5.6.4 Incandescent lamp luminaires

The condition of 5.3.2 applies.

5.6.5 Fluorescent lamp luminaires

Luminaires using a type of fluorescent lamp as mentioned in 5.3.3 and operating with starter shall comply with the minimum values of insertion loss given in table 1.

5.6.6 Other luminaires

Outdoor luminaires other than described in 5.6.4 or 5.6.5 shall comply with the mains terminal voltage limits given in table 2a.

Where the lamp(s) in the luminaire is (are) supplied with a current having a frequency in excess of 100 Hz, the electronic ballast shall be incorporated in the luminaire. The luminaire shall comply with the field strength limits given in table 3.

Additional limits for the electrical component of the disturbing field strength are under consideration.

Where the light output of the luminaire is regulated by an external device, the disturbance voltage at the control terminals shall not exceed the limits given in table 2b.

5.7 UV and IR radiation appliances

5.7.1 General

Ultraviolet and infrared radiation appliances are appliances used for medical and cosmetic care, for industrial purposes and for instant zone heating.

This subclause (5.7) applies to appliances which are mainly used in the residential environment. For other appliances CISPR 11 applies.

5.7.2 IR radiation appliances

For appliances which only contain mains frequency operated incandescent radiation sources (infrared emitters) and which do not include any active electronic components, the condition of 5.3.2 applies.

5.7.3 UV fluorescent lamp appliances

UV appliances using UV lamps identical to those types of fluorescent lamp mentioned in 5.3.3 and operating with a replaceable starter shall comply with the minimum values of insertion loss given in table 1.

5.7.4 Other UV and/or IR appliances

UV and IR appliances other than described in 5.7.2 or 5.7.3 shall comply with the mains terminal voltage limits given in table 2a.

Appliances supplying the radiation source(s) with a current having a (modulating) frequency in excess of 100 Hz shall comply with the field strength limits given in table 3.

Where the radiation of the appliance is regulated by an external device, the disturbance voltage at the control terminals shall not exceed the terminal voltage limits given in table 2b.

5.8 Transport lighting

5.8.1 General

Light sources are used in transport vehicles for:

- external lighting and signalling purposes;
- lighting of on-board instruments;
- lighting of interior cabins and rooms.

This subclause (5.8) sets requirements for lighting equipment used on board ships and rail vehicles. Lighting equipment used in/on aircraft is subject to special conditions and falls outside the scope of this standard.

NOTE – Requirements for lighting equipment used in road vehicles are dealt with by CISPR subcommittee D.

5.8.2 External lighting and signalling

Where devices for lighting or signalling are equipped with incandescent lamps they are deemed to fulfil all relevant requirements of this standard without further testing. If gas-discharge lamps are used, the lamp and its ballast shall be mounted in one unit, which shall comply with the terminal voltage limits given in table 2a and the field strength limits given in table 3.

5.8.3 Lighting of on-board instruments

Lighting of on-board instruments is considered to be subject to the requirements for the instruments.

5.8.4 Lighting of interior cabins and rooms

Equipment for the interior lighting of ships and passenger rail vehicles is considered as indoor lighting equipment and the relevant requirements of 5.3 apply.

5.9 Neon and other advertising signs

Limits and method of measurement are under consideration.

5.10 Self-contained emergency lighting luminaires

5.10.1 General

Luminaires, designed for the purpose of providing emergency lighting in the event of disruption of the mains supply, shall be measured in both the mains on mode and emergency mode (mains off) of operation as detailed in 5.10.2 and 5.10.3.

- Mains on mode: the state of a self-contained emergency luminaire which is ready to operate while the public network supply is on. In the case of a supply failure, the luminaire automatically changes over to the emergency mode.
- Emergency mode: the state of a self-contained emergency luminaire which provides lighting when energized by its internal power source, the public network supply having failed (mains off).

NOTE – The limit and the measurement method of the field strength for the flashing type emergency lighting luminaire utilizing xenon lamps are under consideration.

5.10.2 Measurement in the mains on mode, i.e. operating condition prior to the disruption of the mains supply

The luminaire shall comply with the mains terminal disturbance voltage limits given in table 2a. Where the luminaire supplies the lamp(s) with a current having an operation frequency in excess of 100 Hz, it shall comply with the field strength limits given in table 3. Where the light output of the luminaire is regulated by an external device, the disturbance voltage at the control terminal shall not exceed the limits given in table 2b.

5.10.3 Measurement in emergency mode, i.e. operating condition after disruption of the mains supply

Luminaires which supply the lamp(s) with a current having an operation frequency in excess of 100 Hz while in the emergency mode shall comply with the field strength limits given in table 3.

6 Operating conditions for lighting equipment

6.1 General

When measurements of disturbances or insertion loss of lighting equipment are being made, the equipment shall be operated under the conditions specified in 6.2 to 6.6.

The special conditions given in clauses 7, 8 and 9 for the different methods of measurement are to be observed additionally as appropriate.

6.2 Lighting equipment

The lighting equipment is to be tested as delivered by the manufacturer under normal operating conditions, for example, as given in IEC 60598 for luminaires.

6.3 Supply voltage and frequency

The supply voltage shall be within ± 2 % of the rated voltage. The nominal frequency of the mains supply shall be as rated for the equipment.

6.4 Ambient conditions

Measurements shall be carried out in normal laboratory conditions. The ambient temperature shall be within the range 15 °C to 25 °C.

6.5 Lamps

6.5.1 Type of lamp used

Terminal disturbance voltage and radiated field measurements shall be carried out with lamps for which the lighting equipment is designed. Lamps of the highest wattage rating allowed for the lighting equipment shall be used.

6.5.2 Ageing time of lamps

Measurements shall be carried out with lamps which have been in operation for at least:

- 2 h for incandescent lamps;
- 100 h for fluorescent and other discharge lamps.

6.5.3 Stabilization time of lamps

Prior to a measurement, the lamp(s) shall be operated until stabilization has been reached. Unless otherwise stated in this standard or specified by the manufacturer, the following stabilization times shall be observed:

- 5 min for incandescent lamps;
- 15 min for fluorescent lamps;
- 30 min for other discharge lamps.

6.6 Replaceable starters

When IEC 60155 glow-switch starters are used, the capacitor is replaced by a capacitor of 5 000 pF ± 10 %. The starter shall be retained in its socket unless otherwise specified. Care shall be taken that it maintains its characteristics over the whole frequency range covered by the measurements.

If the manufacturer fits a capacitor external to the starter, the luminaire is measured as manufactured including the starter capacitor.

7 Method of insertion loss measurement

7.1 Circuits for the measurement of insertion loss

7.1.1 For luminaires as described in 5.3.3 and in 5.6.5, the insertion loss is measured as shown in:

- figure 1 for luminaires for linear and U-type fluorescent lamps;
- figure 2 for luminaires for circular fluorescent lamps;
- figure 3 for luminaires for single-capped fluorescent lamps having integral starter.

Dummy lamps are specified in 7.2.4.

In the case of luminaires for fluorescent lamps having a nominal diameter of 25 mm, but which are interchangeable with lamps having a nominal diameter of 38 mm, the insertion loss measurement shall be made with a dummy lamp with a nominal diameter of 38 mm, unless the manufacturer's instructions prescribe the exclusive use of a 25 mm diameter lamp.

7.1.2 For independent ballasts as described in 5.4.4, the insertion loss shall be measured in the circuit relevant to the ballast to be tested. The ballast shall be mounted together with its dummy lamp and starter on a piece of an insulating material, 12 mm ± 2 mm thick. This arrangement shall be considered as a luminaire and the relevant conditions of this clause (7) apply.

7.1.3 UV radiation appliances as described in 5.7.3 are considered as being luminaires and the relevant conditions of this clause (7) apply.

7.2 Measuring arrangement and procedure

The measuring arrangement consists of the following parts.

7.2.1 Radiofrequency generator

This is a sine-wave generator, having an output impedance of 50 Ω and being suitable for the frequency range covered by this measurement.

7.2.2 Balance-to-unbalance transformer

A low-capacitance balance-to-unbalance transformer is used to obtain a symmetrical voltage from the radiofrequency generator. Electrical and constructional requirements are given in annex A.

7.2.3 Measuring receiver and network

A 50 Ω/50 μH + 5 Ω (or 50 Ω/50 μH) artificial mains network in conjunction with a measuring receiver, both as specified in CISPR 16-1, shall be used.

7.2.4 Dummy lamps

The dummy lamps, which are used in the circuits of figures 1, 2, and 3, simulate the r.f. properties of the fluorescent lamps and are shown in figures 4a, 4b, 4c, 4d, 4e and 4f.

When mounting the dummy lamp in the luminaire, it shall remain parallel to the metalwork of the luminaire. Any support necessary to achieve this shall not noticeably alter the capacitance between the dummy lamp and luminaire.

The length of the dummy lamp shall be equal to the length of the fluorescent lamp for which the luminaire is designed. The length of the metal tube shall be as indicated on the relevant dummy lamp data sheet of this standard.

7.2.5 Measuring arrangements

The length of the unscreened connection leads between the transformer and the input terminals of the dummy lamp shall be as short as possible, not exceeding 0,1 m in length.

The length of the coaxial connection leads between the luminaire and the measuring network shall not exceed 0,5 m.

In order to avoid parasitic currents, there shall be only one earth connection at the measuring network. All earth terminals are to be connected to this point.

7.3 Luminaire

With the exception of the possible modification as set out in 6.6 and the replacement of the lamps, the luminaire is measured as manufactured.

Where the luminaire incorporates more than one lamp, each lamp is replaced in turn by the dummy lamp. The insertion loss of multi-lamp luminaires in which the lamps are powered in parallel shall be measured for each lamp and the minimum value of insertion loss measured shall be used for comparison with the relevant limit.

When measuring series-operated lamp luminaires, both lamps shall be replaced by dummy lamps. The input terminals of one dummy lamp shall be connected to the balance-to-unbalance transformer and the input terminals of the remaining dummy lamp are terminated with 150 Ω (high frequency type).

If the luminaire has a frame of insulating material, the back of the luminaire shall be placed on a metal sheet, which in turn shall be connected to the reference earth of the measuring network.

7.4 Measurement procedure

7.4.1 The insertion loss is obtained by comparing the voltage U_1 , obtained by connecting the output terminals of the transformer to the terminals of the measuring network, with the voltage U_2 obtained when the transformer is connected to the measuring network through the luminaire to be measured.

7.4.2 Voltage U_1

The output voltage U_1 (between 2 mV and 1 V) of the transformer is measured by means of the measuring receiver. For this purpose, a direct connection is made between the transformer and the input terminals of the measuring network. The voltage U_1 is measured between either of the two input terminals of the measuring network and earth and shall have substantially the same value, i.e. independent of the arrangement of the measuring network. See annex A for checking of the balance-to-unbalance transformer properties and the saturation effects.

7.4.3 Voltage U_2

The voltage U_2 measured with the luminaire connected between the transformer and measuring network may have different values and therefore may depend on the two positions of the switch of the measuring network. The higher voltage reading is recorded as U_2 .

7.4.4 The insertion loss is given by $20 \lg \frac{U_1}{U_2}$ dB.

NOTE – The value of the insertion loss as obtained by this method of measurement gives good correlation between the dummy lamp and real lamps when used in the same luminaire.

7.4.5 Where it is known that the insertion loss measured according to figures 1 or 2, or for series-operated fluorescent lamps according to 7.3, is a minimum for a given orientation of the dummy lamp(s), measurements may be made for this orientation only (e.g. for a luminaire with a single ballast and with the dummy lamp(s) inserted so that the relevant input terminal is directly connected to the neutral supply terminal of the luminaire). In cases where there is any doubt on this point, measurements shall be made for all possible orientations of the dummy lamp(s).

8 Method of measurement of disturbance voltages

8.1 Measuring arrangement and procedure

8.1.1 Mains terminal voltage measurement

The disturbance voltage shall be measured at the mains terminals of the lighting equipment by means of the arrangement described in figures 5 and 6 for the relevant type of equipment.

The output terminals of the artificial mains network (V-network) and the terminals a-b shall be positioned $0,8 \text{ m} \pm 20 \%$ apart and shall be connected by the two power conductors of a flexible three-core cable of 0,8 m length.

8.1.2 Load and control terminal voltage measurement

A voltage probe shall be used when measuring on the load or control terminals (see figure 5). It contains a resistor having a resistance value of at least $1\,500 \, \Omega$ in series with a capacitor with a reactive value negligible to the resistance (in the range 150 kHz to 30 MHz) (see clause 12 of CISPR 16-1).

The measuring results shall be corrected according to the voltage division between the probe and the measuring set. For this correction, only the resistive parts of the impedance shall be taken into account.

8.1.3 Light regulation

If the lighting equipment incorporates a light regulating control or is controlled by an external device, then the following method shall be applied when measuring the disturbance voltage.

8.1.3.1 At the mains terminals

An initial survey or scan of the complete frequency range 9 kHz to 30 MHz shall be made with full light output. In addition, at the following frequencies and at all frequencies at which there is a maximum disturbance found in the initial survey, the control setting shall be varied for maximum disturbance while maintaining the maximum load:

9 kHz, 50 kHz, 100 kHz, 160 kHz, 240 kHz, 550 kHz, 1 MHz, 1,4 MHz, 2 MHz, 3,5 MHz, 6 MHz, 10 MHz, 22 MHz, 30 MHz.

8.1.3.2 At the load and/or control terminals

An initial survey or scan of the complete frequency range 150 kHz to 30 MHz shall be made with full light output. In addition, at the following frequencies and at all frequencies at which there is a maximum disturbance found in the initial survey, the control setting shall be varied for maximum disturbance while maintaining the maximum load:

160 kHz, 240 kHz, 550 kHz, 1 MHz, 1,4 MHz, 2 MHz, 3,5 MHz, 6 MHz, 10 MHz, 22 MHz, 30 MHz.

8.1.4 Measurements with an average detector

If the limits for the measurement with the average detector are met when using a receiver with a quasi-peak detector, the test unit shall be deemed to meet both limits and the measurement with the average detector need not be carried out.

8.2 Indoor and outdoor luminaires

The measuring arrangement is given in figure 6a.

When the luminaire incorporates more than one lamp, all lamps shall be operated simultaneously. Where it is possible for the user to insert lamps in different ways, measurements shall be made for all cases and the maximum value used for comparison with the relevant limit. In the case of luminaires for fluorescent lamps which are equipped with a replaceable starter, the same terminals are left connected to the starter in both possible measurement positions.

If the luminaire is of metal and is provided with an earthing terminal, it shall be connected to the reference earth of the V-network.

If the luminaire is provided with an earthing terminal, but the manufacturer states that it need not be earthed, it shall be measured twice: once with and once without the earth connection. In both cases, the luminaire shall comply with the requirements.

If the luminaire is of metal or plastic (or a combination of the two) and is not intended to be earthed, it shall be mounted symmetrically 0,4 m above a metal plate of dimensions at least 2 m × 2 m. The plate shall be connected to the reference earth of the V-network.

If the measurement is made in a screened enclosure, the distance of 0,4 m may be referred to one of the walls of the enclosure. The luminaire shall be positioned so that its base is parallel to the reference wall and shall be at least 0,8 m from the outer surfaces of the enclosure.

For outdoor luminaires where the ballast is mounted outside the luminaire (in the column), the mains terminal disturbance voltage is measured at the mains input terminals of the ballast.

8.3 Independent light regulating devices

8.3.1 Directly operating devices

The regulating device shall be arranged as shown in figure 5. The connecting lead length for load and control terminals, if any, shall be 0,5 to 1 m long.

Unless otherwise specified by the manufacturer, the regulating device shall be measured with the maximum allowed load consisting of incandescent lamps as specified by the manufacturer.

The regulating device shall first be measured according to the provisions of 8.1.3.1. Secondly, the disturbance voltage at the load and control terminals, if any, shall be measured according to the provisions of 8.1.3.2.

8.3.2 Devices having a remote control function

Such devices shall be connected to a measuring circuit consisting of a resistor, capacitor and/or inductance as specified by the manufacturer. The measuring arrangement as shown in figure 5 then applies. The terminal voltage at the supply and control terminals shall be measured according to the relevant provisions of 8.1.3.

8.4 Independent transformers and convertors for incandescent lamps

8.4.1 Independent transformers shall be measured using the relevant provisions of 8.3.1.

8.4.2 Independent electronic convertors having a non-detachable cable, or where the manufacturer gives strict installation instructions, shall be mounted together with the lamp(s) of maximum load on a piece of insulating material, 12 mm \pm 2 mm thick. The supply wires between the convertor and the lamp(s) shall be non-detachable, or of the maximum length and type specified in the installation instructions. The assembly shall be placed on a metal plate of dimensions slightly larger than the piece of insulating material. The plate shall be connected to the reference earth of the V-network.

8.5 Independent ballasts for fluorescent and other discharge lamps

The disturbance voltage shall be measured in the circuit relevant to the device to be tested as shown in figure 6b. The device shall be mounted together with its lamp(s) on a piece of insulating material, 12 mm \pm 2 mm thick, which shall be placed on a metal plate of dimensions slightly larger than the piece of insulating material. The plate shall be connected to the reference earth of the V-network. If the device is provided with an earth terminal it shall also be connected to that reference earth.

Where a starter or ignitor is necessary to start the lamp, this shall be one suitable for the ballast and lamp. The instructions given in 6.6 apply.

There are no special mains wiring instructions. The wiring between the device under test and the lamp(s) shall be as short as possible to minimize its influence on the measuring results.

8.6 Self-ballasted lamps and semi-luminaires

Self-ballasted lamps shall be measured as manufactured. Semi-luminaires shall be measured with a suitable lamp having the maximum power allowed for it.

The circuit for the measurement of the disturbance voltage for self-ballasted lamps or semi-luminaires is shown in figure 6c. Details of the conical metal housing to be used are given in figure 7. The cable connecting the terminals at the conical housing to the V-network shall not exceed 0,8 m. The conical metal housing shall be connected to the earth terminal of the V-network. However, for self-ballasted lamps having an operating frequency within the range 2,51 MHz to 3,0 MHz, the following circuit shall be used. The lamp is fitted in an appropriate lampholder and placed 0,4 m above a metal plate of dimensions at least 2 m × 2 m and shall be kept at least 0,8 m from any other earthed conducting surface. The artificial mains network (V-network) shall also be placed at a distance from at least 0,8 m from the lamp, and the lead between lampholder and V-network shall not exceed 1 m. The plate shall be connected to the reference earth of the V-network.

The disturbance voltage shall be measured at the supply terminals of the self-ballasted lamp or semi-luminaire.

8.7 UV and IR radiation appliances

These appliances are considered as being luminaires and the instructions of 8.1 and 8.2 apply with the following additions.

- In the case of appliances which contain both UV and IR radiation sources, the IR radiation source shall be disregarded if it is mains frequency operated.
- The appliance shall be measured with the lamps as installed. Before making a measurement, the lamps shall be stabilized during a period of 5 min for lamps of the high pressure type and 15 min for lamps of the low pressure type.

8.8 Self-contained emergency lighting luminaires

The instructions of 8.1 and 8.2 apply with the following additions:

- In the case of a self-contained emergency lighting luminaire, where in the mains on mode the light may be on or off, while the batteries are being charged, measurements shall be performed with the lamp(s) energized.
- In the case of a self-contained luminaire which comprises more than one unit, such as a luminaire with separate control gear, the units shall be mounted on a piece of insulating material 12 mm ± 2 mm thick, with the interconnecting cables of the maximum length specified by the manufacturer. This arrangement shall be measured as a luminaire.
- For luminaires incorporating more than one lamp, the luminaire shall be tested in the following manner. Only the lamps which are designed to be operated when the luminaire is in the mains on mode shall be energized when the luminaire is tested in that mode. Only the lamps which are designed to be operated when the luminaire is in the emergency mode shall be energized when the luminaire is tested in that mode.

9 Method of measurement of radiated electromagnetic disturbances

9.1 Measuring arrangement and procedure

9.1.1 Measuring equipment

The magnetic component shall be measured by means of a loop antenna as described in annex B. The lighting equipment shall be placed in the centre of the antenna shown in figure B.1. The position is not critical.

9.1.2 Measurements in three directions

The induced current in the loop antenna is measured by means of a current probe (1 V/A) and the CISPR measuring receiver (or equivalent). By means of a coaxial switch the three field directions can be measured in sequence. Each value shall fulfil the requirements given.

9.1.3 Wiring instructions

There are no special instructions for the supply wiring.

9.1.4 Light regulation

If the lighting equipment has a built-in light regulating control or is controlled by an external device, the equipment shall be measured in the half-load and maximum load condition.

9.2 Indoor and outdoor luminaires

For luminaires incorporating more than one lamp, all the lamps are operated simultaneously. It is not necessary to make measurements with lamps in different mounting positions.

9.3 Independent convertors for incandescent lamps

Independent convertors shall be mounted as described in 8.4.2 and the combination shall be measured as a luminaire.

9.4 Independent ballasts for fluorescent and other discharge lamps

Independent ballasts shall be mounted as described in 8.5 and the combination shall be measured as a luminaire.

9.5 Self-ballasted lamps and semi-luminaires

Self-ballasted lamps and semi-luminaires shall be measured when inserted in a relevant lampholder, mounted on a piece of insulating material.

9.6 UV and IR radiation appliances

For UV and IR radiation appliances, the relevant conditions given in 8.7 apply.

9.7 Self-contained emergency lighting luminaires

For self-contained emergency lighting luminaires, the relevant conditions given in 8.8 apply. During the emergency mode of operation the following additions apply.

- For luminaires which incorporate an internal power source, measurements shall be conducted with the power source in a fully charged state.

9.8 Application of CISPR 16-1

The description of the loop antenna, relative sensitivities and conversion factors in CISPR 16-1 has preference over annexes B and C.

10 Interpretation of CISPR radio disturbance limits

10.1 Significance of a CISPR limit

10.1.1 A CISPR limit is a limit which is recommended to national authorities for incorporation in national standards, relevant legal regulations and official specifications. It is also recommended that international organizations use these limits.

10.1.2 The significance of the limits for type-approved appliances shall be that on a statistical basis at least 80 % of the mass-produced appliances comply with the limits with at least 80 % confidence.

10.2 Tests

Test shall be made:

- a) either on a sample of appliances of the type, using the statistical method of evaluation in accordance with 10.3.1 and 10.3.2;
- b) or, for simplicity's sake, on one appliance only (but see 10.3.2).

Subsequent tests are necessary from time to time on appliances taken at random from production, especially in the case indicated in item b).

10.3 Statistical method of evaluation

10.3.1 If insertion loss measurements are performed, compliance is achieved when the following relationship is met:

$$\bar{x} - ks_n \geq L$$

where

\bar{x} is the arithmetic mean of the measured value of n items in the sample

$$s_n^2 = \sum_n (x_n - \bar{x})^2 / (n-1)$$

x_n is the value of individual item;

L is the appropriate limit;

k is the factor derived from tables of the non-central t-distribution which ensures with 80 % confidence that 80 % of more of the production exceeds the minimum value of insertion loss; the value of k depends on the sample size n and is stated below.

The quantities x_n , \bar{x} , s_n and L are expressed logarithmically (dB).

Table 5 – Sample size and corresponding k factor in a non-central t-distribution

n	3	4	5	6	7	8	9	10	11	12
k	2,04	1,69	1,52	1,42	1,35	1,30	1,27	1,24	1,21	1,20

10.3.2 If limits of disturbance terminal voltages or limits of currents induced by radiation are considered, compliance is achieved when the following relationship is met:

$$\bar{x} + ks_n \leq L$$

where

\bar{x} , s_n and x_n have the same meaning as given under clause 10.3.1;

k is the factor derived from tables of the non-central t-distribution which ensures with 80 % confidence that 80 % or more of the production is below the limit; the value of k depends on the sample size n and is stated under clause 10.3.1.

The quantities x_n , \bar{x} , s_n and L are expressed logarithmically (dB(μ V) or dB(μ A)).

When measurements are made on lighting equipment where the lamp can be replaced, a minimum of five units are tested, each unit with its own lamp. If for reasons of simplicity one unit is tested, it shall be tested with five lamps and the limit shall be met for each lamp.

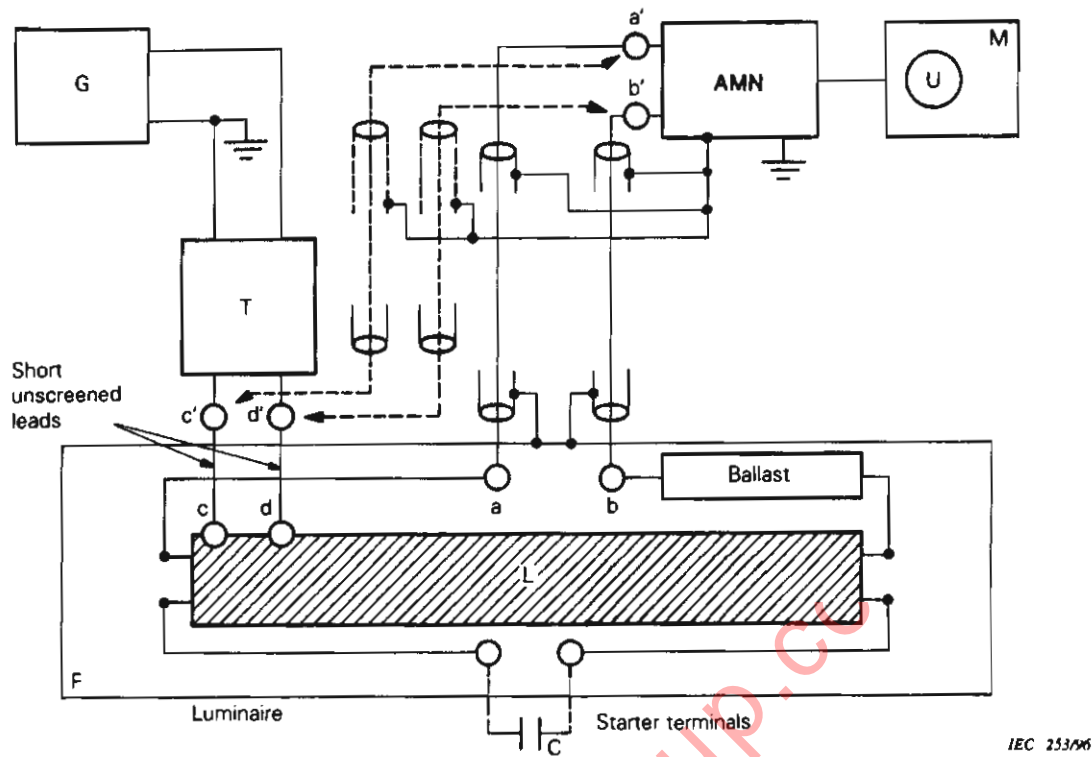
When measurements are made on lighting equipment where the lamp cannot be replaced, a minimum of five units are to be tested. (Because of the dispersion of the disturbance potential of the lamps, several items shall be considered.)

10.4 The banning of sales

The banning of sales or withdrawal of a type approval, as a result of a dispute, shall be considered only after tests have been carried out using the statistical method of evaluation.

Statistical assessment of compliance with limits shall be made as follows.

This test shall be performed on a sample of not less than five, and not more than twelve items of the type, but if, in exceptional circumstances, five items are not available, then a sample of four or three shall be used.

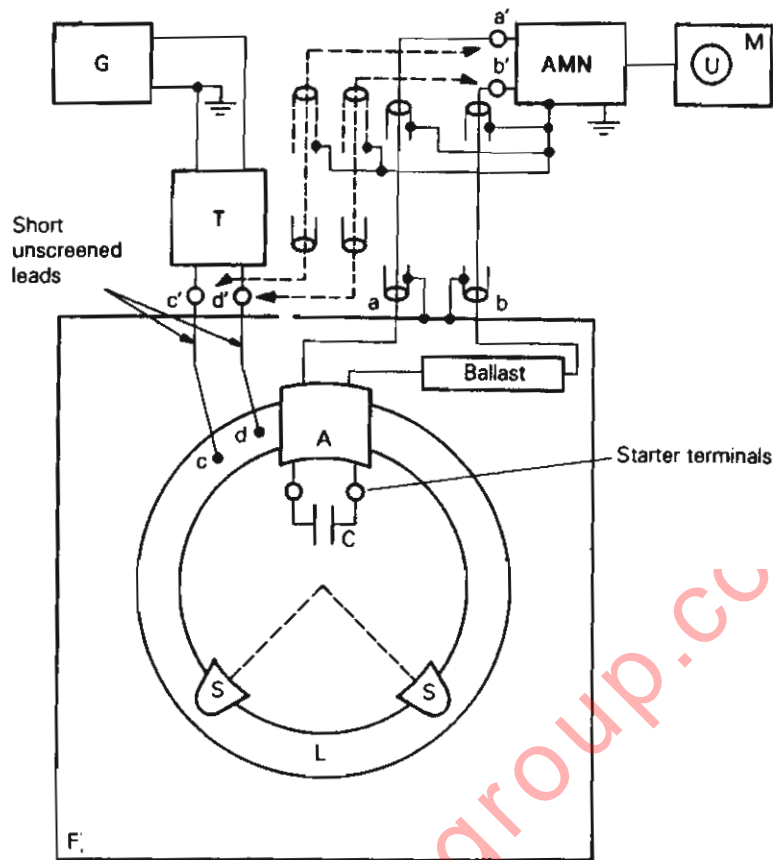


IEC 253/96

- G = r.f. generator
- T = balance-to-unbalance transformer
- AMN = $50 \Omega / 50 \mu\text{H} + 5 \Omega$ (or $50 \Omega / 50 \mu\text{H}$) artificial mains network as specified in CISPR 16-1
- M = r.f. millivoltmeter or measuring receiver
- L = dummy lamp
- F = luminaire
- C = capacitor
- a - b = mains terminals
- a' - b' = input terminals of the measuring network AMN
- c - d = r.f. terminals of dummy lamp L
- c' - d' = output terminals of T
- a - a' and b - b' = connections by coaxial cables ($Z_0 = 75 \Omega$), with the respective ends of the screens connected to the reference earth of AMN and F not exceeding 50 cm in length
- c - c' and d - d' = connections of the transformer to the dummy lamp shall be made with unscreened leads not exceeding 100 mm in length

NOTE - When measuring U-type lamp luminaires the same circuit arrangement is used, but the linear dummy lamp should be replaced by the U-type dummy lamp.

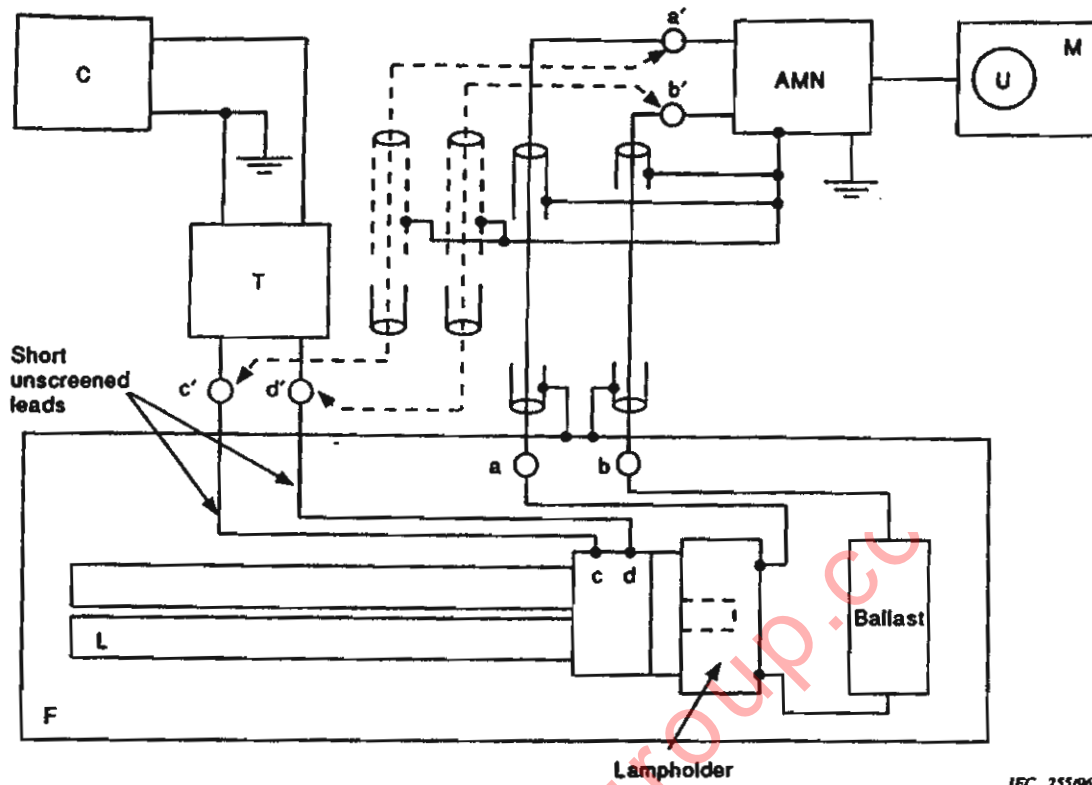
Figure 1 - Insertion loss measurement on linear and U-type fluorescent lamp luminaires



IEC 254/96

- G = r.f. generator
 T = balance-to-unbalance transformer
 AMN = $50 \Omega/50 \mu\text{H} + 5 \Omega$ (or $50 \Omega/50 \mu\text{H}$) artificial mains network as specified in CISPR 16-1
 M = r.f. millivoltmeter or measuring receiver
 L = dummy lamp
 F = luminaire
 C = capacitor
 A = lampholder
 S = supports of insulating material
 a - b = mains terminals
 a' - b' = input terminals of the measuring network AMN
 c - d = r.f. terminals of dummy lamp L
 c' - d' = output terminals of T
 a - a' and b - b' = connections by coaxial cables ($Z_0 = 75 \Omega$), with the respective ends of the screens connected to the reference earth of AMN and F, not exceeding 50 cm in length
 c - c' and d - d' = connections of the transformer to the dummy lamp shall be made with unscreened leads not exceeding 100 mm in length

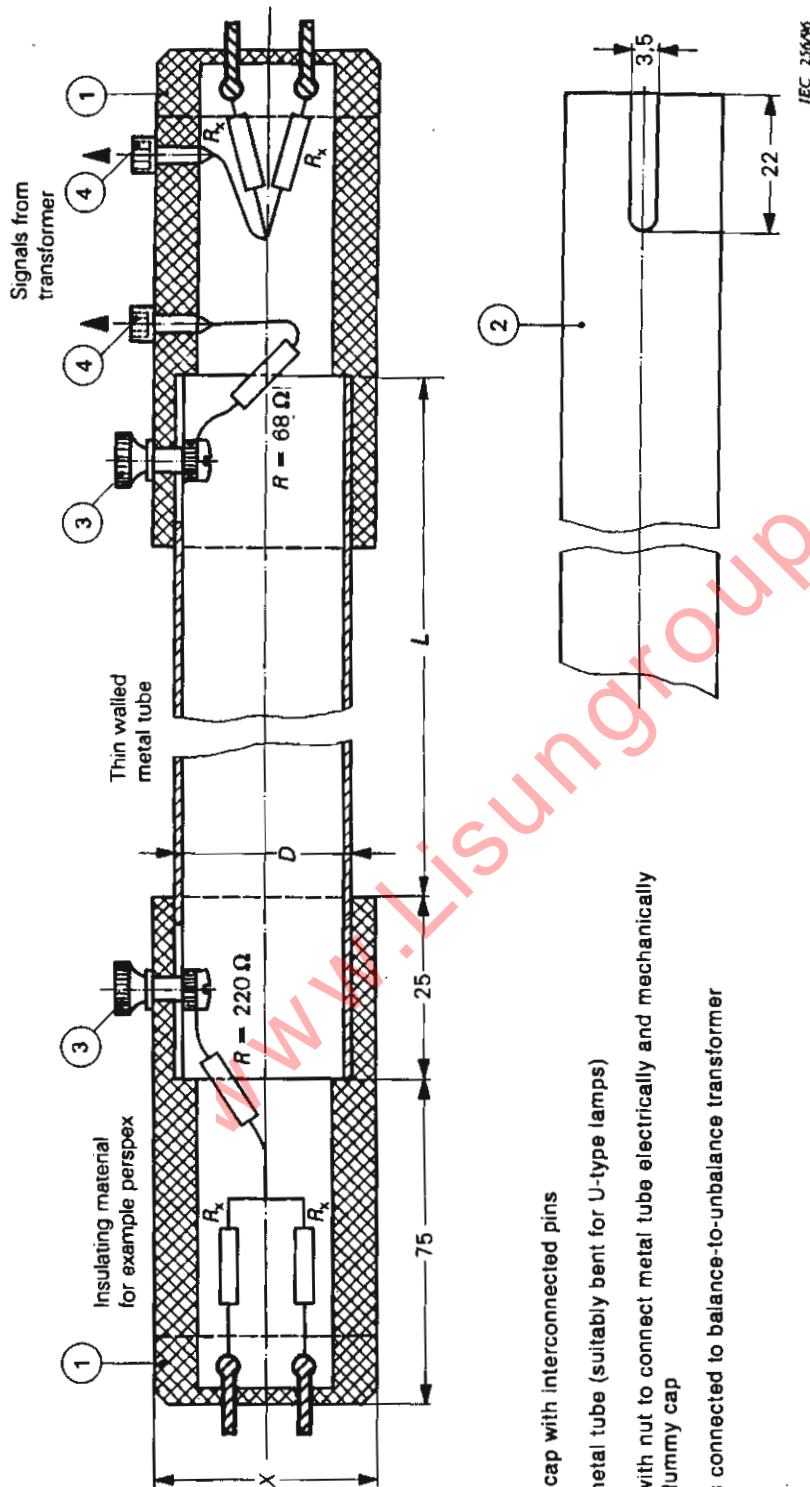
Figure 2 – Insertion loss measurement on circular fluorescent lamp luminaires



IEC 255/96

- G = r.f. generator
- T = balance-to-unbalance transformer
- AMN = 50 Ω/50 μH + 5 Ω (or 50 Ω/50 μH) artificial mains network as specified in CISPR 16-1
- M = r.f. millivoltmeter or measuring receiver
- L = dummy lamp
- F = luminaire
- C = capacitor
- a - b = mains terminals
- a' - b' = input terminals of the measuring network AMN
- c - d = r.f. terminals of dummy lamp L
- c' - d' = output terminals of T
- a - a' end b - b' = connections by coaxial cables ($Z_0 = 75 \Omega$), with the respective ends of the screens connected to the reference earth of AMN and F, not exceeding 50 cm in length
- c - c' and d - d' = connections of the transformer to the dummy lamp shall be made with unshielded leads not exceeding 100 mm in length

Figure 3 - Insertion loss measurement on luminaires for single-capped fluorescent lamps with integrated starter

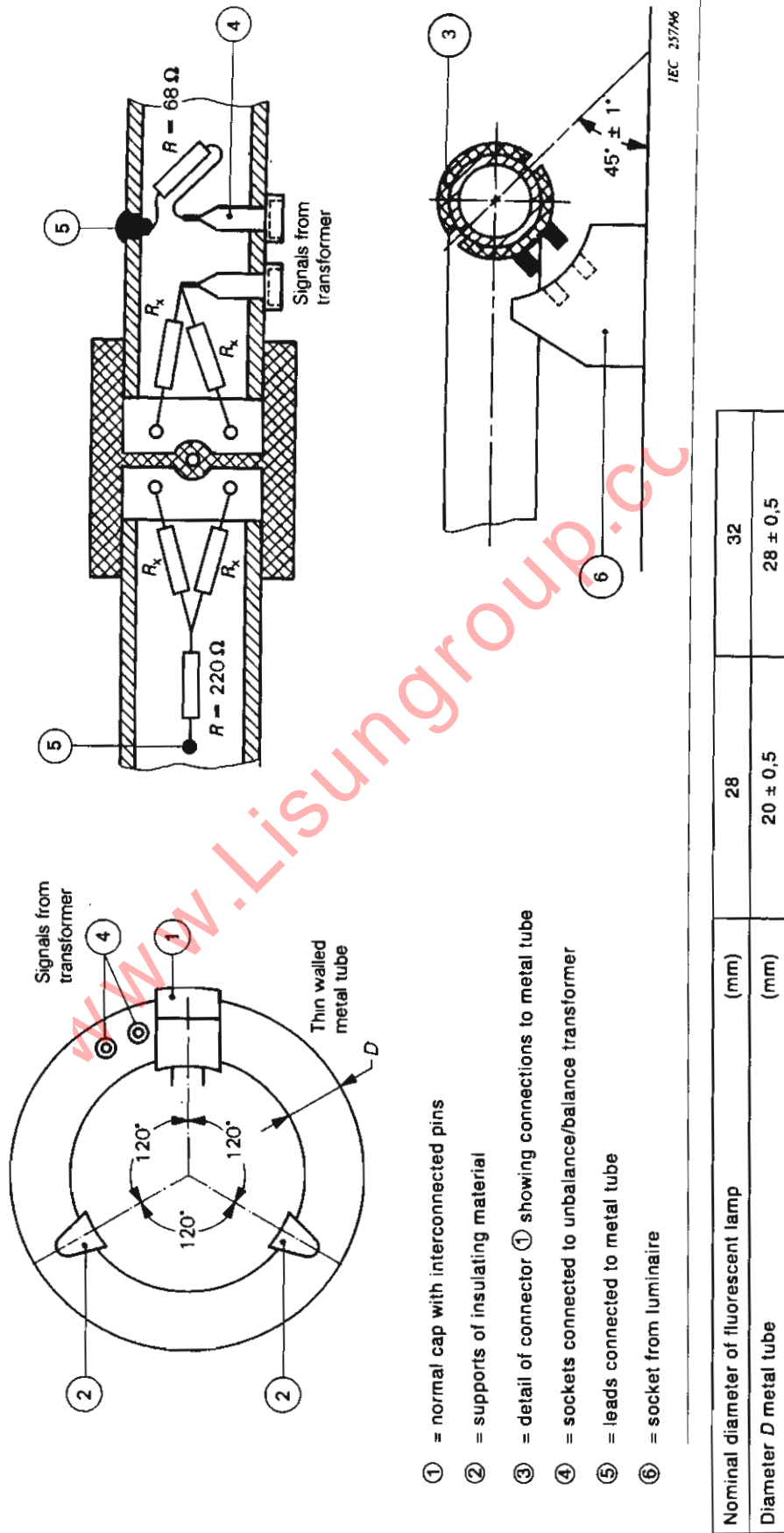


- ① = normal cap with interconnected pins
- ② = detail metal tube (suitably bent for U-type lamps)
- ③ = screw with nut to connect metal tube electrically and mechanically with the dummy cap
- ④ = sockets connected to balance-to-unbalance transformer

	L
Length of real fluorescent lamp minus 0,15 m	
Nominal diameter of fluorescent lamp (mm)	25
Diameter D of metal tube (mm)	20 ± 0,5
Diameter X of normal cap (mm)	4

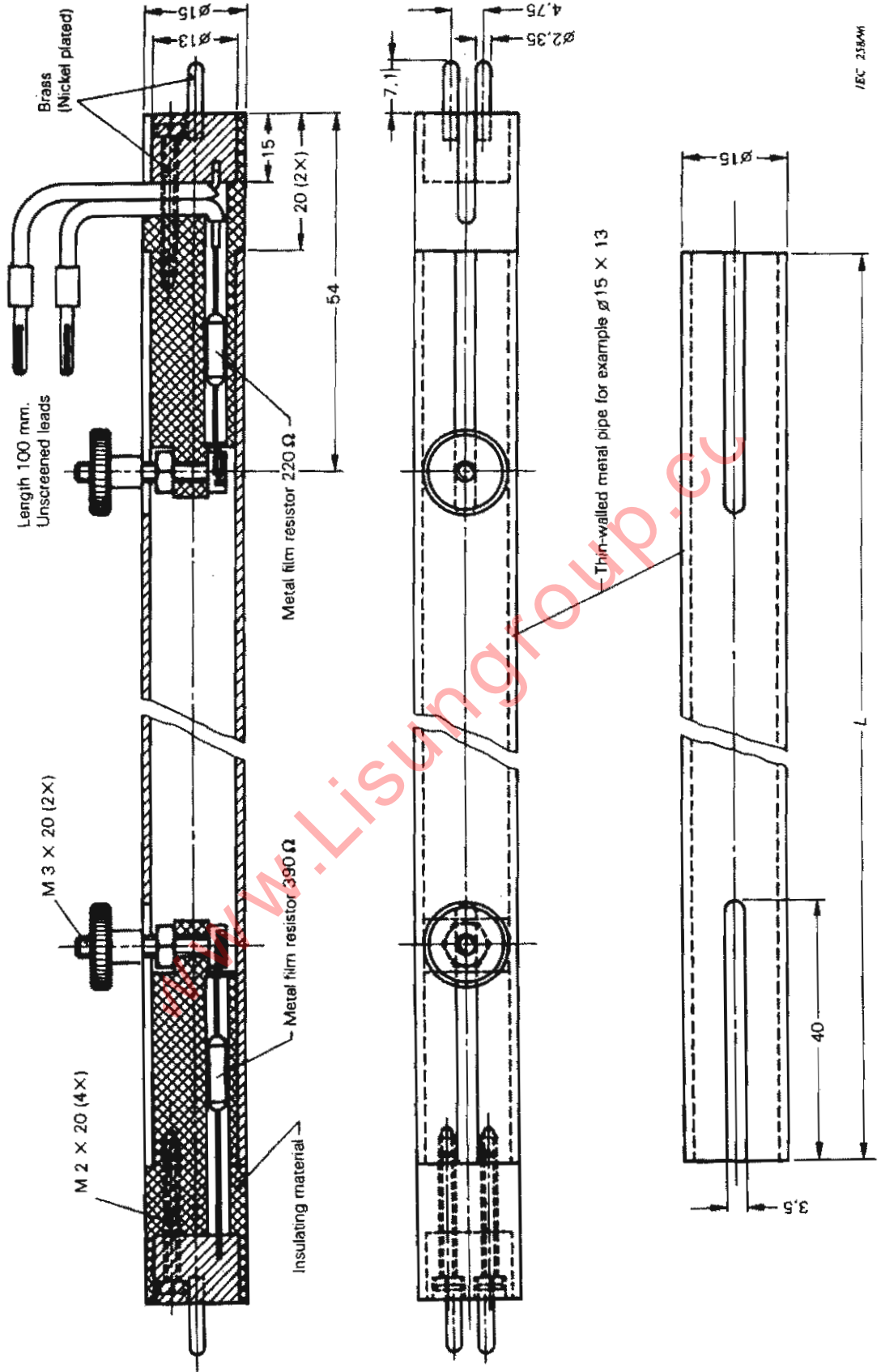
NOTE - Tolerances in dimensions ±1 in the last decimal, tolerances in resistances ±5 % unless otherwise specified.
The value of resistance R_x is 4,8 Ω.

Figure 4a - Configuration of linear and U-type dummy lamps



NOTE – Tolerances in dimensions ±1 in the last decimal, tolerances in resistances ±5 % unless otherwise specified.
 The value of resistance R_x is 4,8 Ω.

Figure 4b – Configuration of circular dummy lamps



IEC 215/M1

Figure 4c – Dummy lamp for 15 mm fluorescent lamps
 NOTE – Tolerances in dimensions ±1 in the last decimal, tolerances in resistances ±5 % unless otherwise specified.
 L = length of the real fluorescent lamp minus 40 mm.

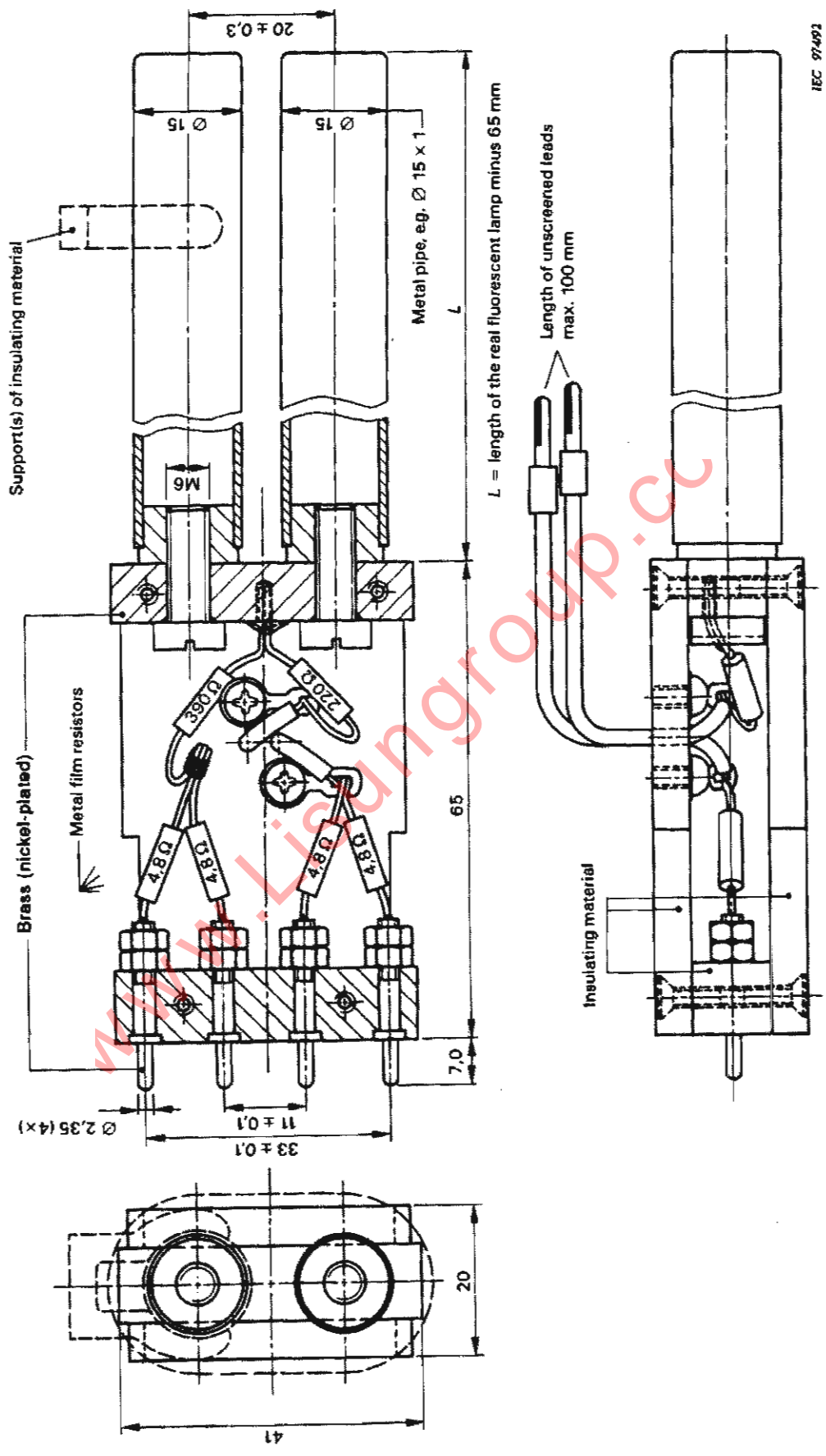


Figure 4d - Dummy lamp for 15 mm single capped fluorescent lamps

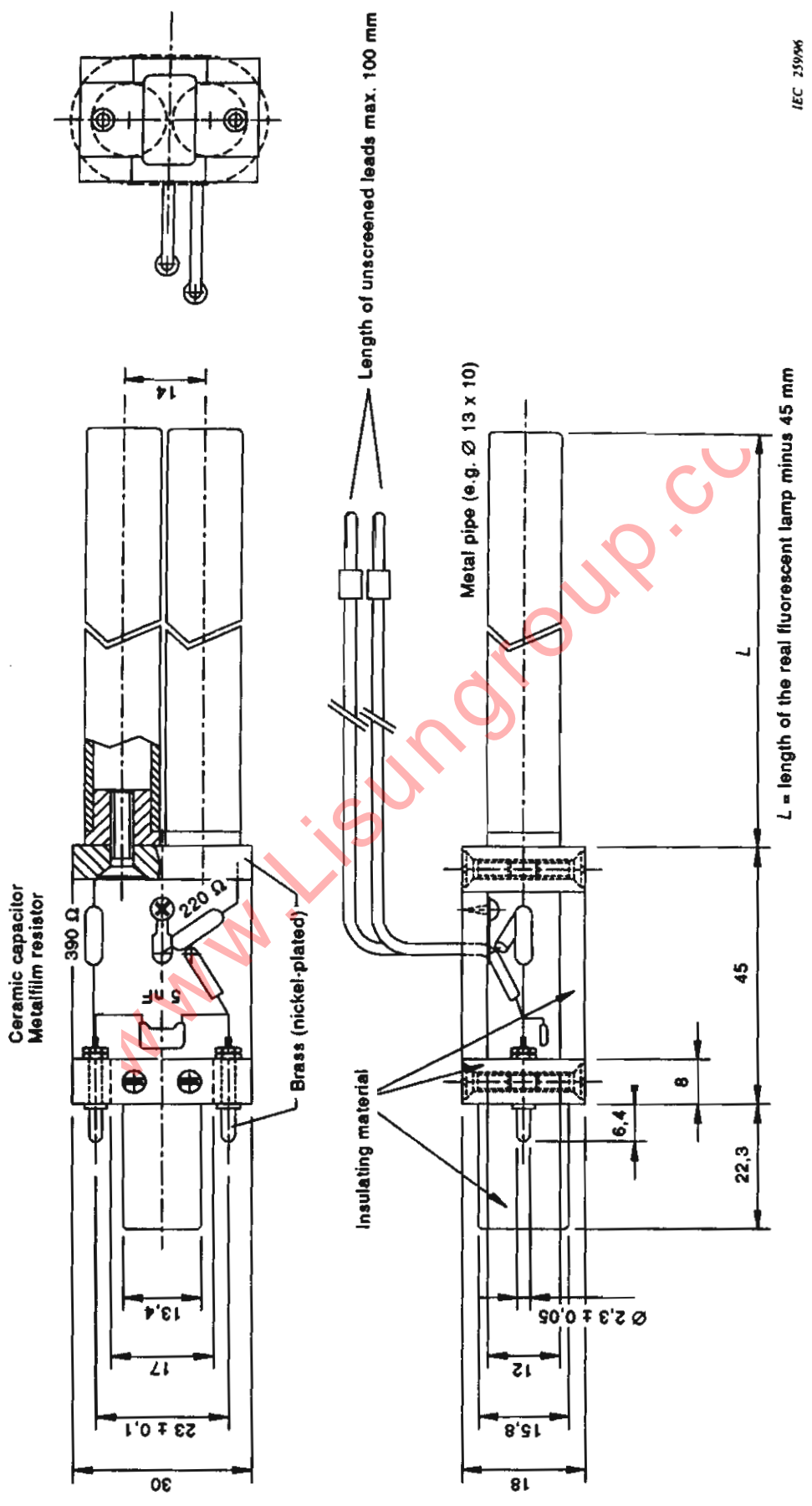
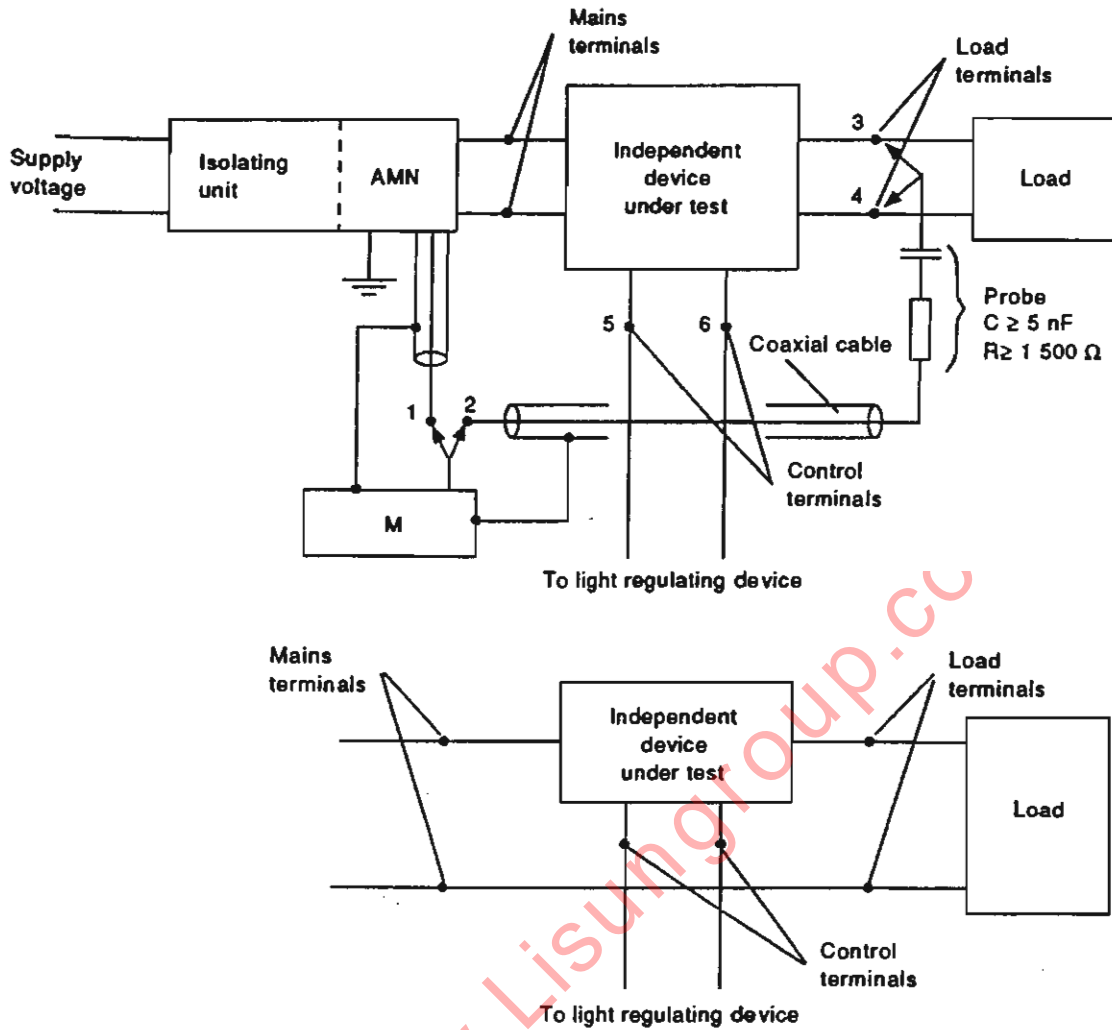


Figure 4e – Dummy lamp for single-capped fluorescent lamps linear shaped, twin tube, tube diameter 12 mm



IEC 24196

AMN = $50 \Omega/50 \mu\text{H} + 5 \Omega$ (or $50 \Omega/50 \mu\text{H}$) artificial mains network as specified in CISPR 16-1

M = CISPR measuring receiver

Switch positions and probe connections

- 1 For mains measurements
- 2 For load or control measurements
- 3-4 Successive connections during load measurements
- 5-6 Successive connections during control measurements (if any)

NOTE 1 - The earth of the measuring receiver shall be connected to the artificial mains V-network.

NOTE 2 - The length of the coaxial cable from the probe shall not exceed 2 m.

NOTE 3 - When the switch is in position 2, the output of the artificial mains V-network at terminal 1 shall be terminated by an impedance equivalent to that of the CISPR measuring receiver.

NOTE 4 - Where a two-terminal device is inserted in one lead only of the supply, measurements shall be made by connecting the second supply lead as indicated in the lower figure.

Figure 5 – Measuring arrangements for an independent light regulating device, transformer or convertor

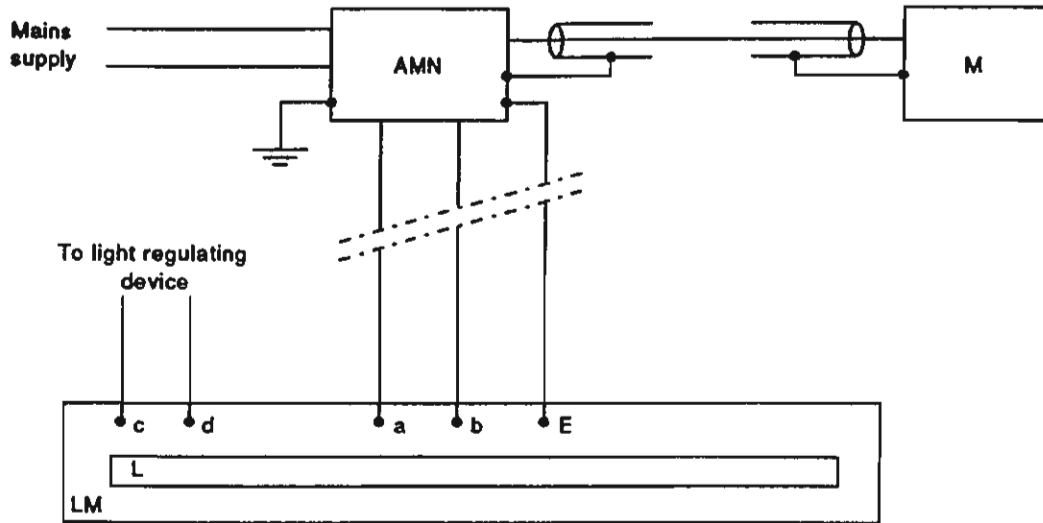


Figure 6a - Luminaire

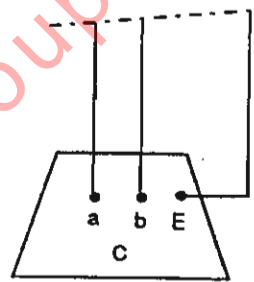
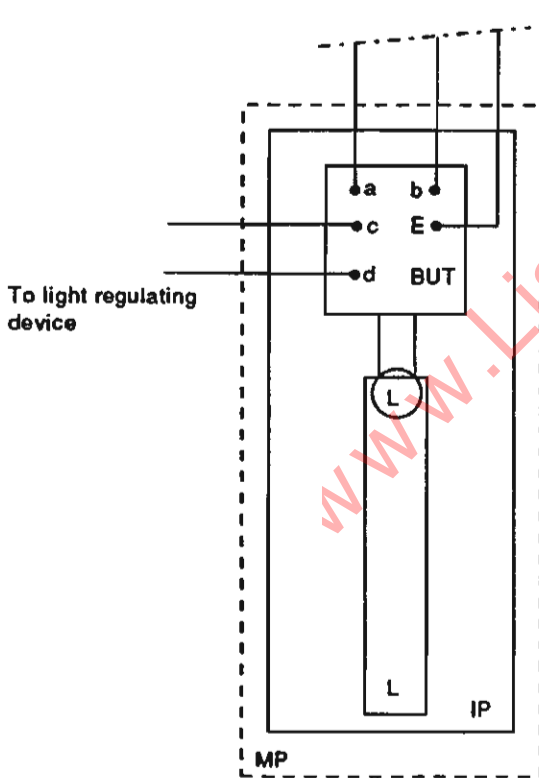


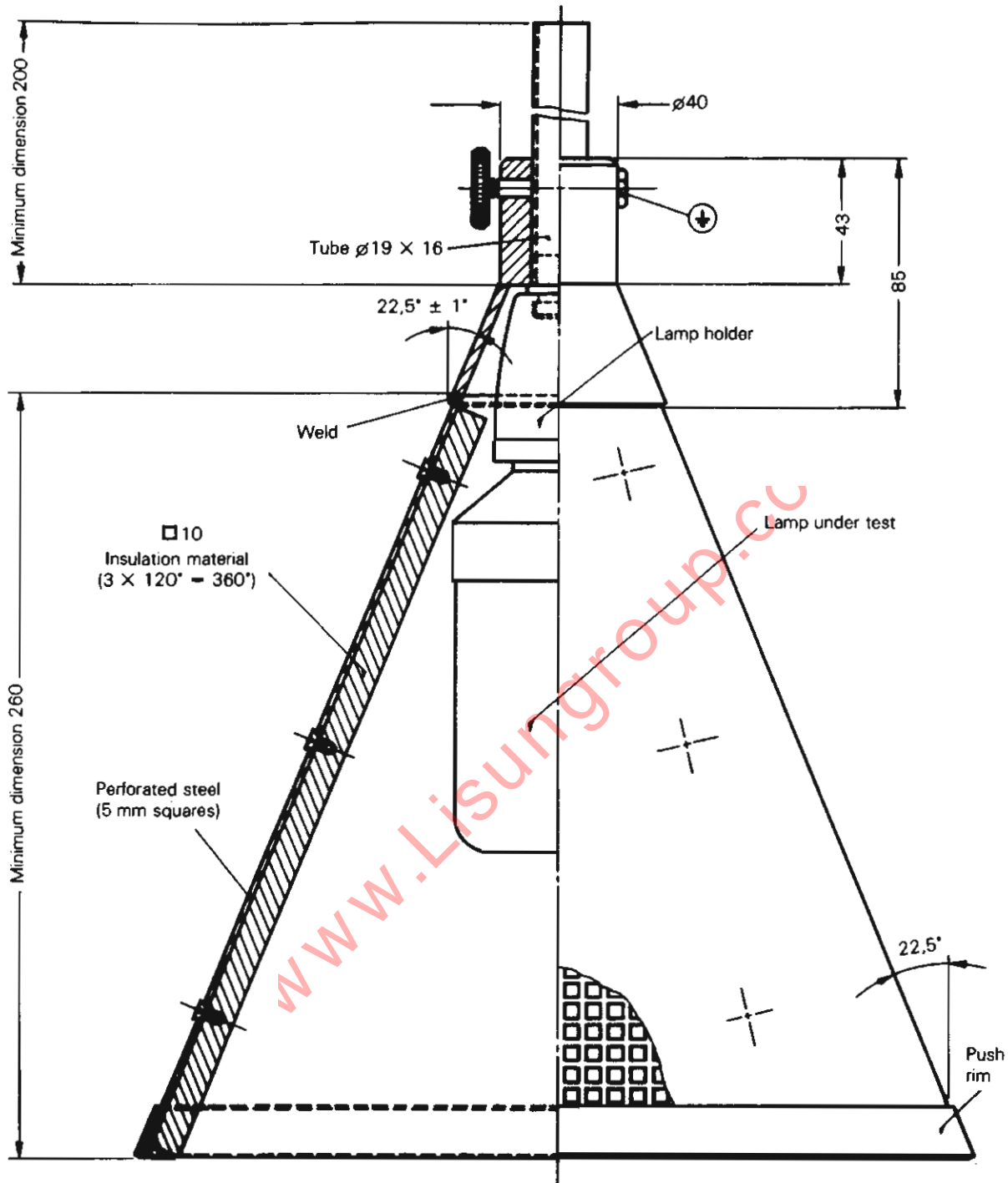
Figure 6c - Self-ballasted lamps

- AMN = $50 \Omega / 50 \mu\text{H} + 5 \Omega$ (or $50 \Omega / 50 \mu\text{H}$) artificial mains network as specified in CISPR 16-1
- M = CISPR measuring receiver
- LM = Luminaire
- L = Examples of lamps
- BUT = Ballast under test
- IP = Piece of insulating material
- MP = Metal plate
- C = Conical metal housing
- a - b = supply terminals
- c - d = control terminals (if any)
- E = earthing terminal

IEC 262/96

Figure 6b - Independent ballasts for fluorescent and other discharge lamps

Figure 6 - Measuring arrangements



059/85

Dimensions in millimetres

NOTE 1 – Tolerances in dimensions ± 1 in the last decimal, unless otherwise specified.

NOTE 2 – For good reference, adjust the lamp to the highest position.

Figure 7 – Conical metal housing for self-ballasted fluorescent lamps

Annex A **(normative)**

Electrical and constructional requirements for the low-capacitance balance-to-unbalance transformer

A.1 General

Care is necessary in the construction of the transformer in order to meet the performance requirements.

An example of a suitable construction is shown in figures A.2a, A.2b, A.2c and A.2d, together with the materials to be used.

A.2 Basic requirements

A.2.1 The output impedance of the transformer, when the input is terminated by 50Ω , shall be $150 \Omega \pm 10 \%$ with a phase angle not exceeding 10° . The isolation of the transformer is checked as follows (see figure A.1).

Using a voltmeter with a high impedance (for example $1 \text{ M}\Omega$), but shunted with a 150Ω resistor, the voltage V'_2 (see figure A.1b) and V''_2 (see figure A.1c) measured between each secondary terminal and the earth connection of the transformer, shall be at least 43 dB below the voltage V_1 (see figure A.1a) measured across the secondary terminals, with constant output level from the r.f. generator.

A.2.2 Requirements of A.1 shall be met throughout the frequency range 150 kHz to 1 605 kHz.

A.2.3 The transformer shall be mounted in a metal box. The side where the output terminals are mounted is constructed of an insulating material, and the earth connection of the input terminal shall be connected to the metal box (see figure A.2d).

A.3 Additional requirements

To allow for simplified measuring procedures, the following additional requirements shall be applied.

- a) In the frequency range 150 kHz to 1 605 kHz, the transformer shall have a transfer-characteristic which is flat within 0,5 dB.
- b) The transformer is constructed in such a way that U_1 , as defined in 5.4.2, can be adjusted to a value of 1 V, without causing saturation effects in the ferrite core.

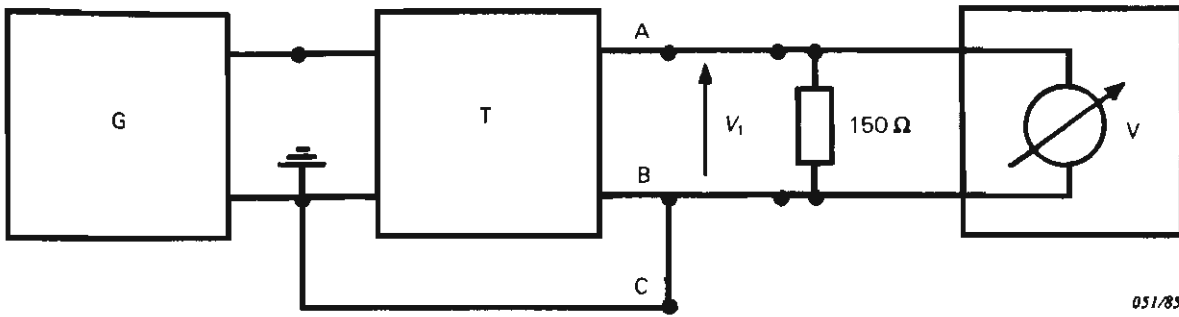


Figure A.1a

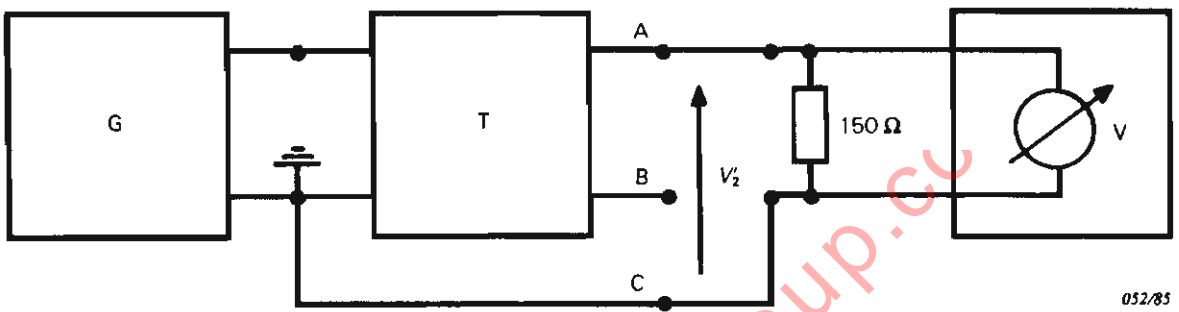


Figure A.1b

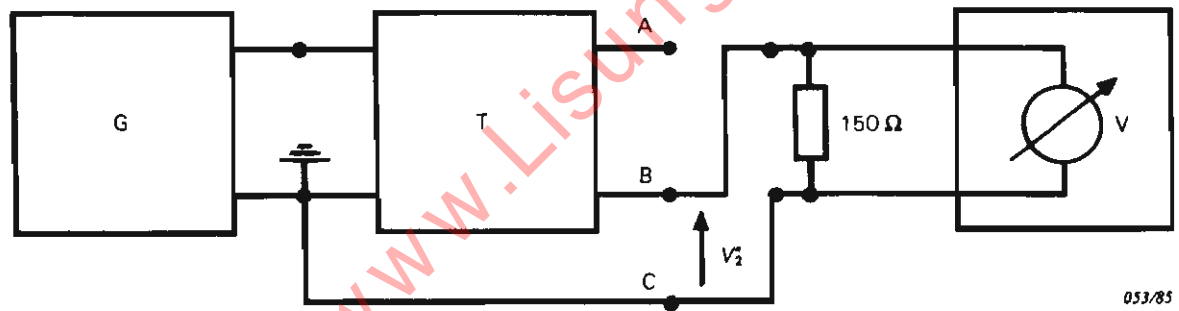


Figure A.1c

Figure A.1 – Isolation test configuration

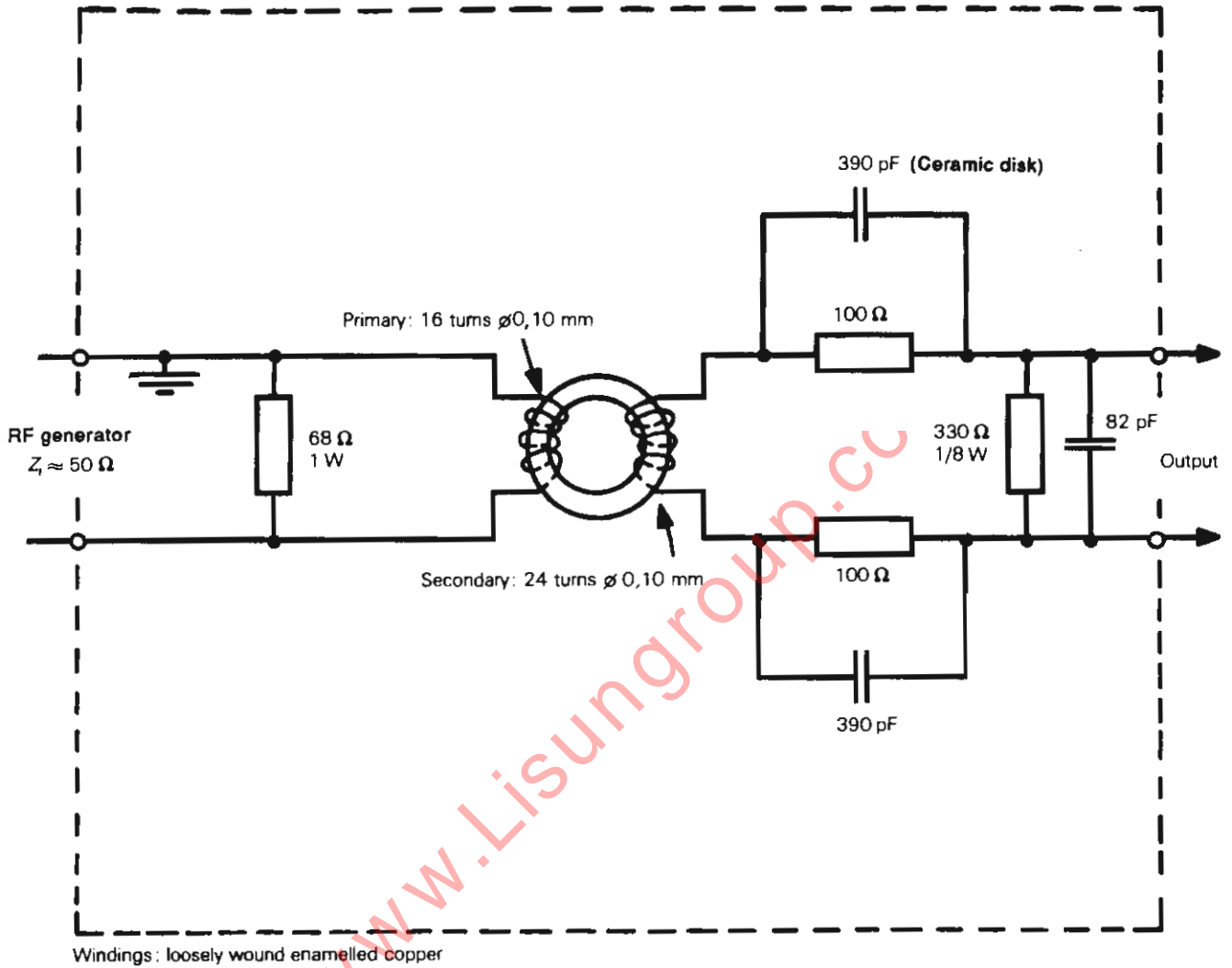
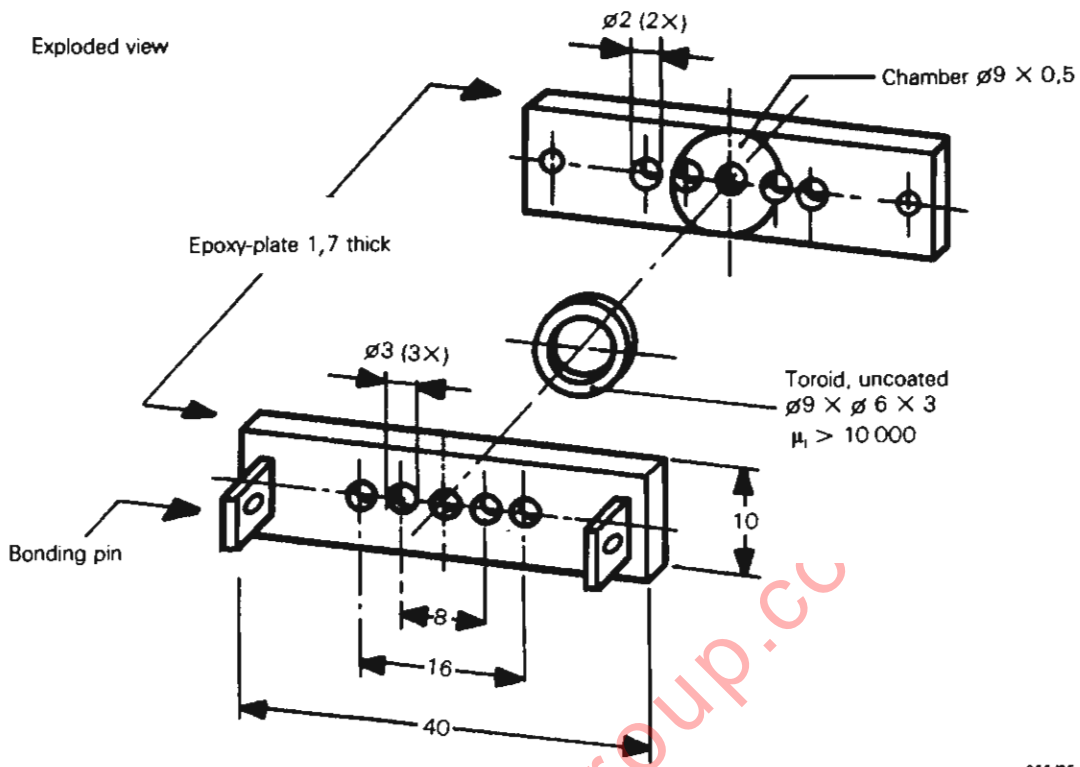


Figure A.2a – Balance-to-unbalance transformer circuit

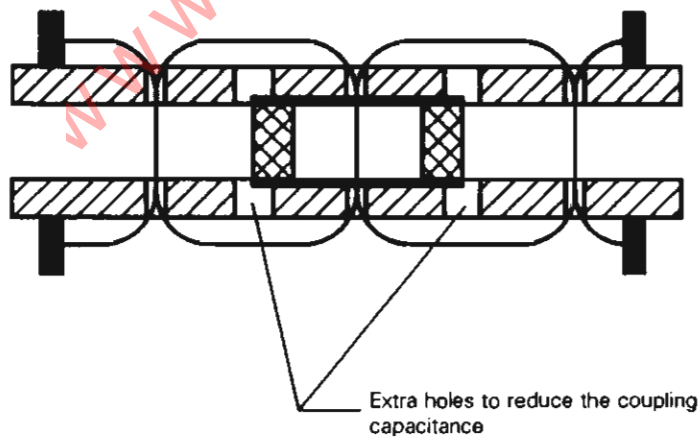


055/85

Dimensions in millimetres

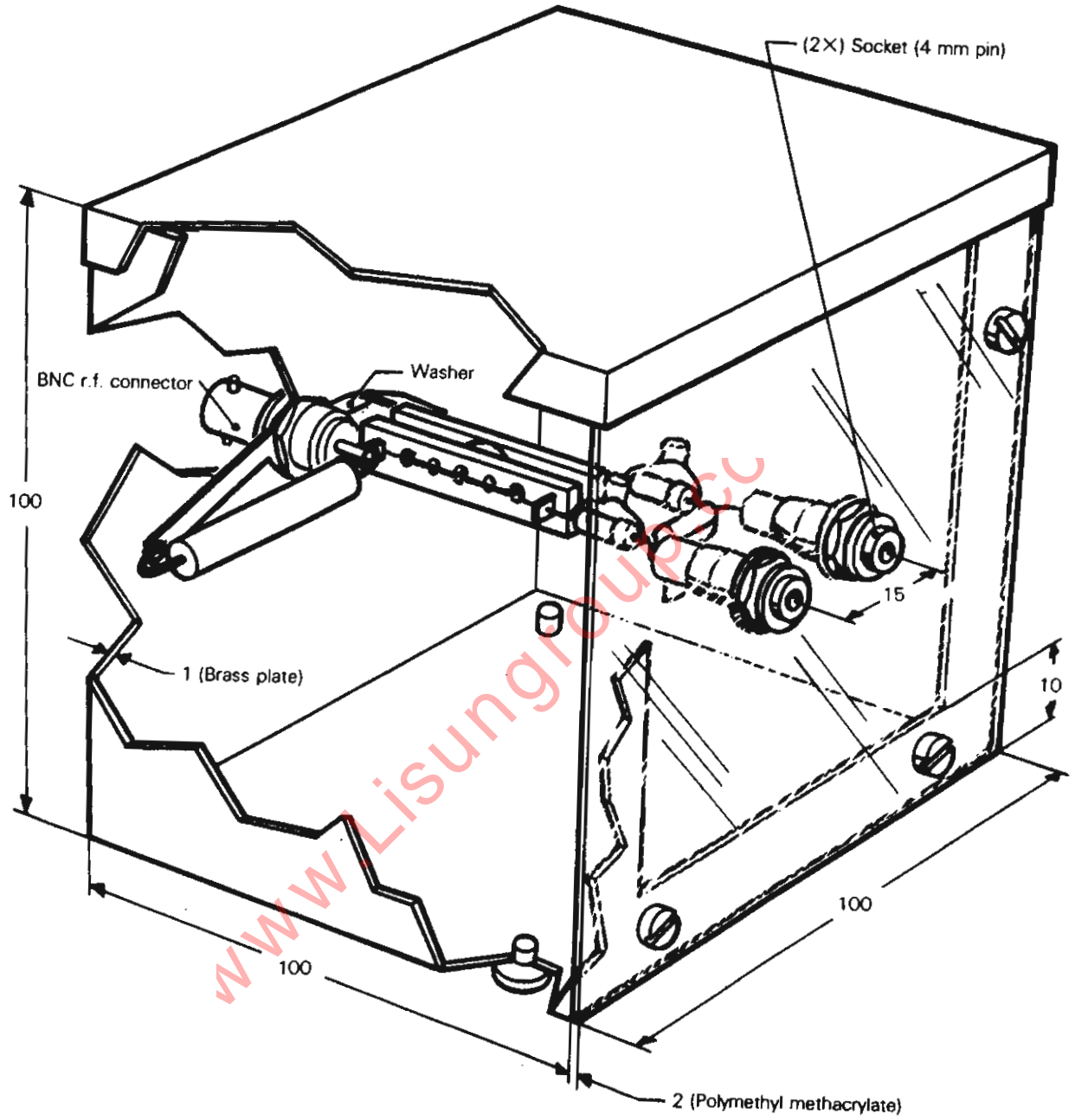
Figure A.2b – Details of transformer core construction

Cross-section



056/85

Figure A.2c – Details of transformer core construction



IEC 264796

Dimensions in millimetres

Figure A.2d – Construction of transformer

Annex B **(normative)**

Magnetic field induced current method

B.1 General

The magnetic component of the disturbance field strength shall be measured by means of the magnetic field induced current method.

B.2 Loop antenna

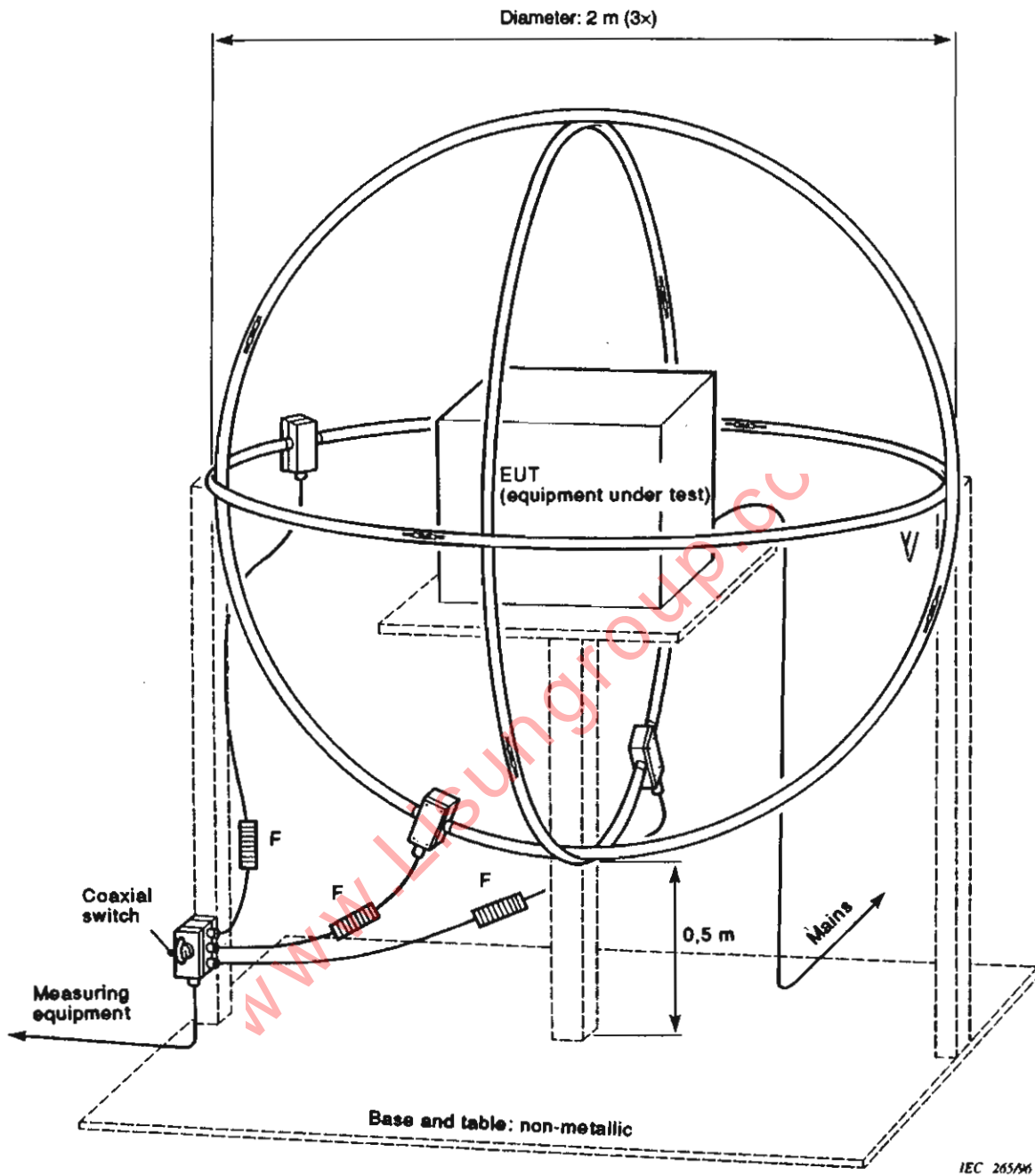
The loop antenna for the measurement of the magnetic field is shown in figure B.1. The loop antenna is provided with a current probe and two slits (see figures B.2 and B.3). The coaxial cables between the current probes and the coaxial switch and between the coaxial switch and the measuring receiver are of good quality (for instance RG223/U) and terminated with collet lock BNC connectors. The coaxial cables are provided with ferrite toroids ($R_s > 100 \Omega$ at 10 MHz, for example, 12 rings ferroxcube 3E2 outer diameter approximately 30 mm).

B.3 Positioning of the loop antenna

The distance between the outer diameter of the loop antenna system and nearby objects, such as floor and walls, shall be at least 0,5 m.

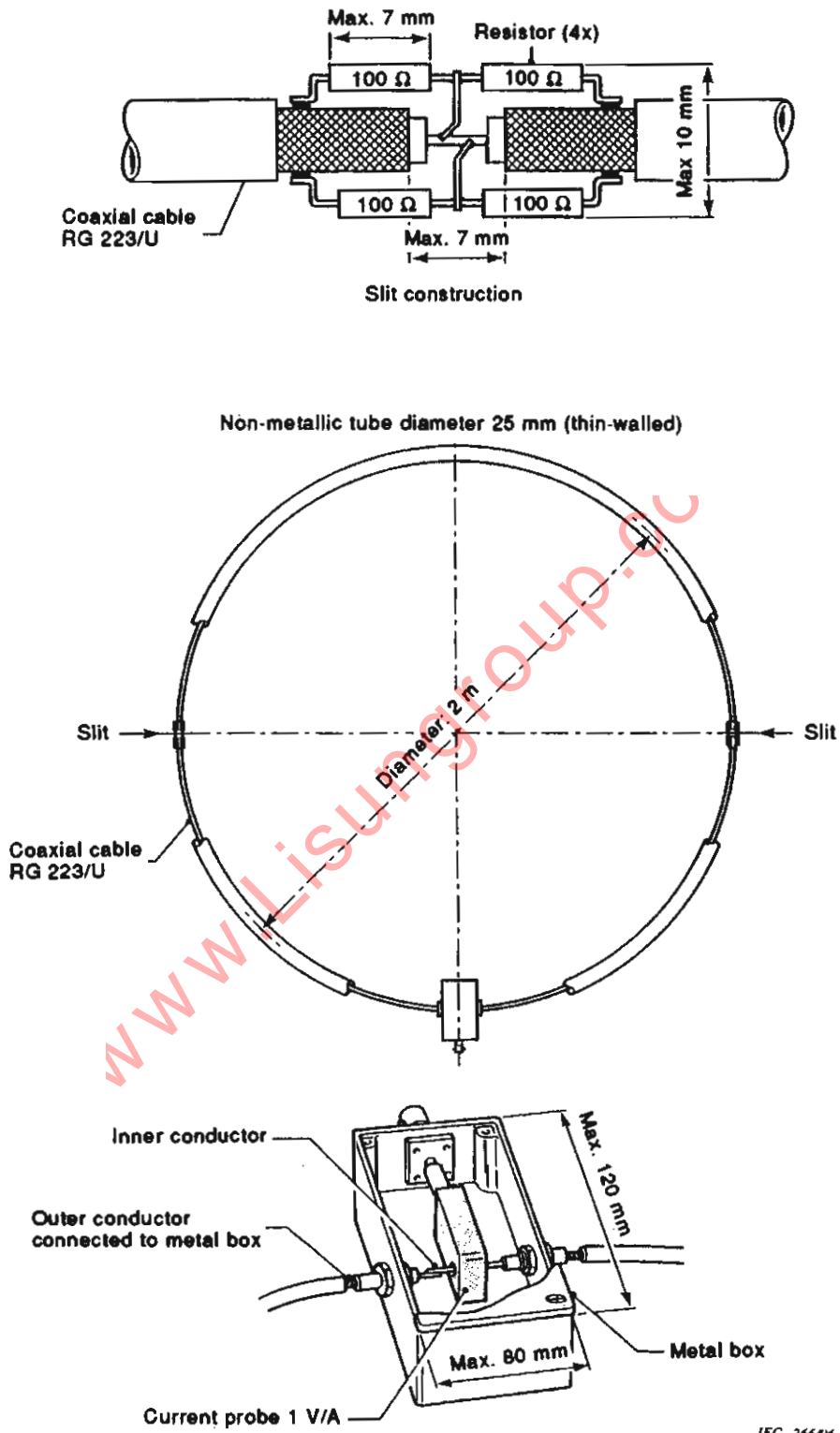
B.4 Verification

Verification of the measuring set-up shall be carried out regularly with a calibration-(balun) dipole, powered by an r.f. generator (see figure B.4). The reproducibility of the measurements shall be within ± 2 dB.



F = ferrite absorber

Figure B.1 – Test set-up for measuring magnetic fields in X, Y and Z direction
(frequency range 9 kHz and 30 MHz)



IEC 266AM

Figure B.2 – Large-loop construction

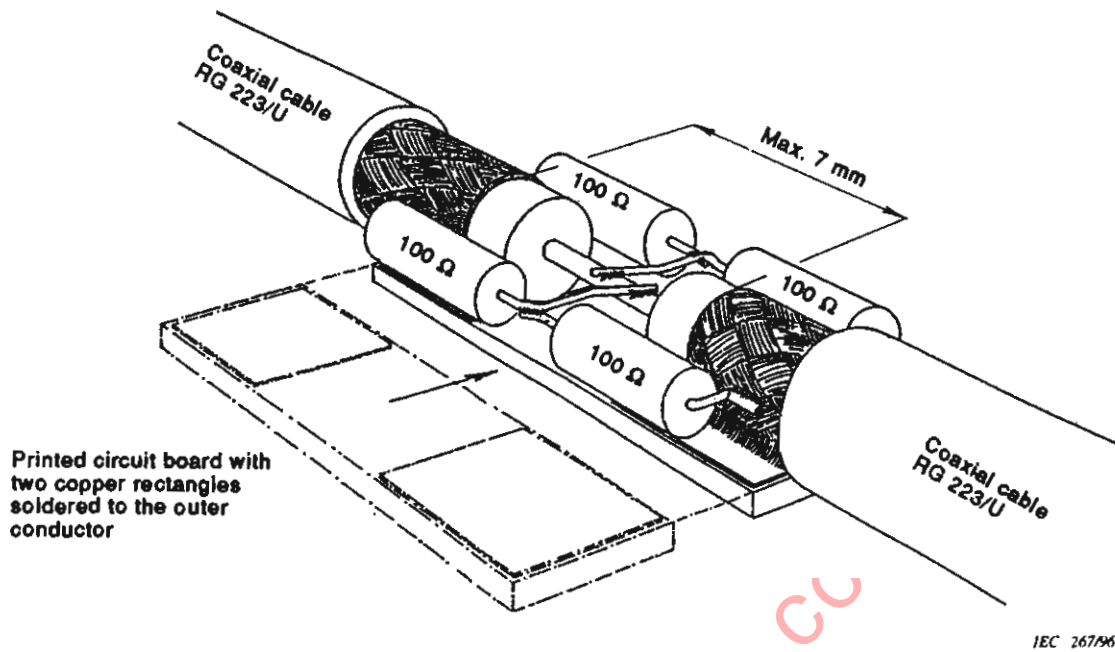


Figure B.3 – Example of a slit construction for the large-loop antenna

www.Lisungroup.com

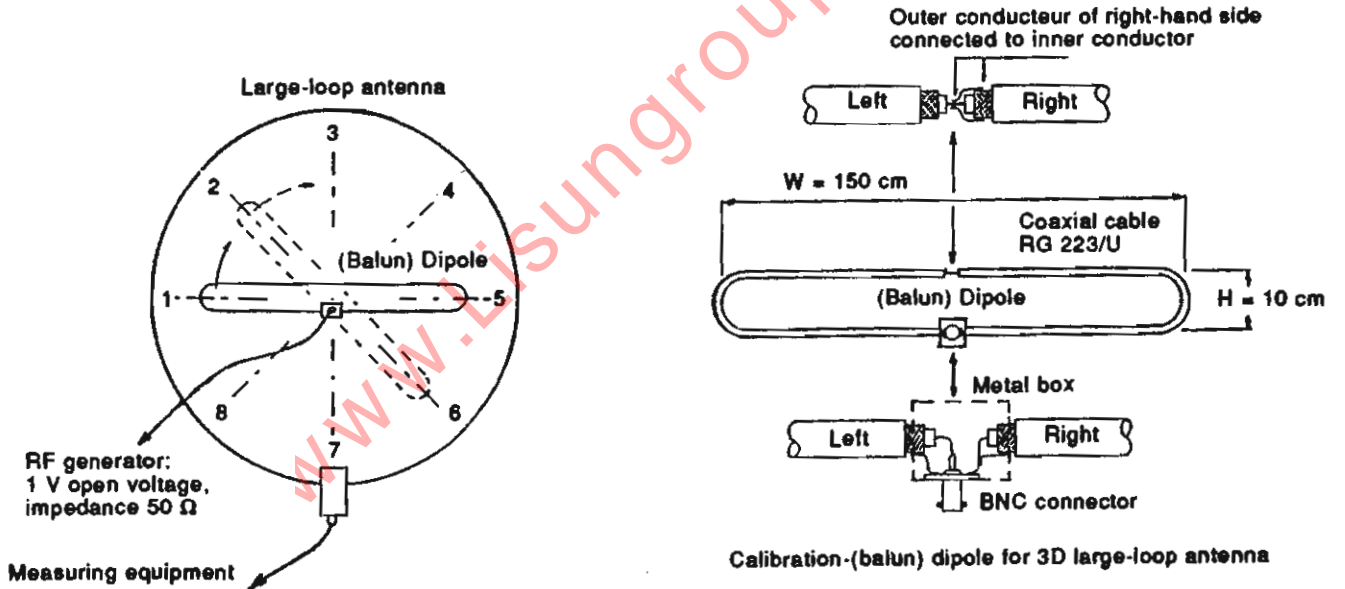
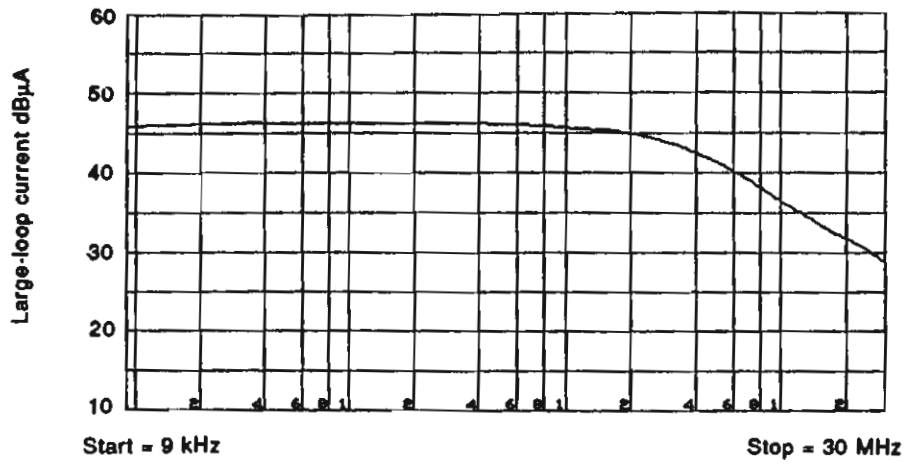
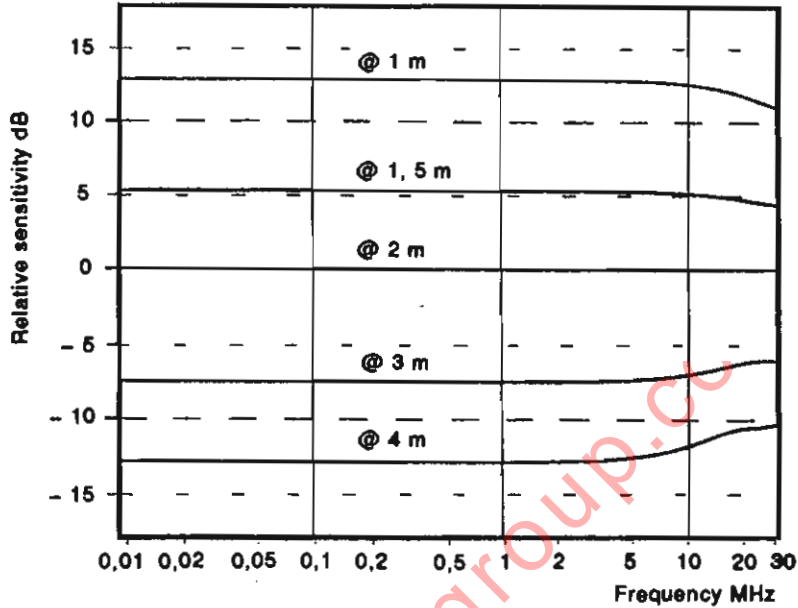


Figure B.4 – Test set-up for verification of the large-loop antenna

Annex C
 (informative)

Relative sensitivities and conversion factors for large-loop antennas (LLAs)



IEC 982/92

Figure C.1 – Sensitivity of LLAs with a diameter of 1,0, 1,5, 3,0 and 4,0 m relative to an LLA having a diameter of 2,0 m

The following examples may explain the use of figure C.1:

- a) Measuring frequency: 100 kHz
 LLA loop diameter: 2 m
 Current induced by EUT: X dB μ A.
 Then, for the same EUT:
 In the case of a 1,0 m LLA: current measured = $X + 13$ dB μ A
 In the case of a 3,0 m LLA: current measured = $X + 7$ dB μ A
- b) LLA loop diameter: D m
 Relative sensitivity: S dB (for diameter D)
 Current induced by EUT: Y dB μ A (in LLA with diameter D).

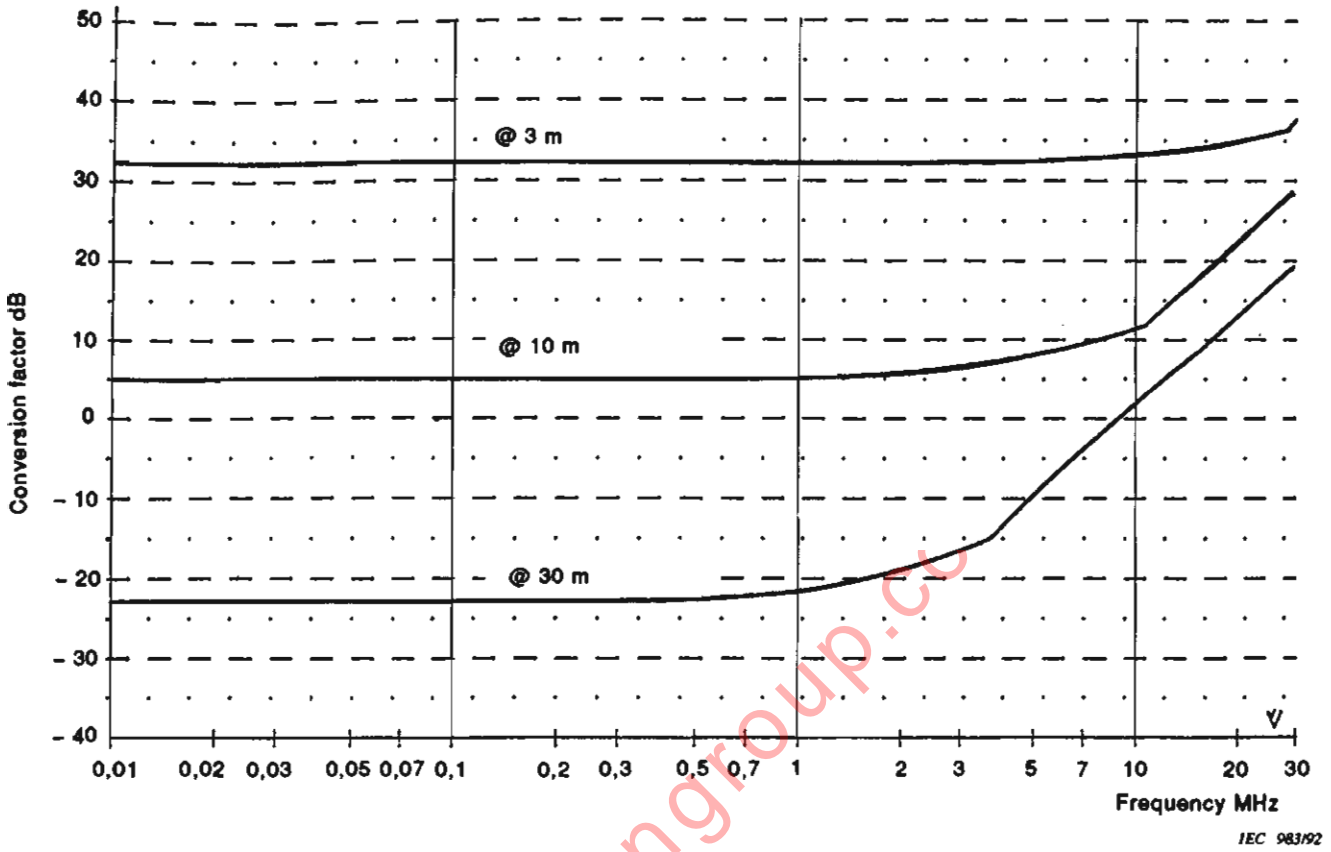
Then the field strength H (dB μ V/m) at a distance of d m from the EUT follows from:

$$H \text{ (dB}\mu\text{V/m)} = Y \text{ (dB}\mu\text{A)} - S \text{ (dB)} + C_d \text{ (dB}\Omega\text{/m)}$$

where C_d is the conversion factor taken from figure C.2 for the chosen distance d .

Numerical example:

$$f = 100 \text{ kHz}, D = 3 \text{ m}, d = 30 \text{ m}, \text{ then } H = (Y + 7 - 22) = (Y - 15) \text{ dB}\mu\text{V/m.}$$



[current (dB μ A) + conversion factor (dB) = magnetic field (dB μ V/m)]
 (distance is measured from the centres of DUT and the antenna)

Figure C.2 – Correlation between the current in the 2 m loop antenna and the magnetic field at the indicated distances